





User's Manual

i·Sound™ L3

Sound Unit for LCD Monitor

SAFETY SYMBOLS

This manual uses the safety symbols below. They denote critical information. Please read them carefully.

	WARNING	Failure to abide by the information in a WARNING may result in serious injury and can be life threatening.
	CAUTION	Failure to abide by the information in a CAUTION may result in moderate injury and/or property or product damage.
	Indicates a prohibited action.	 Indicates a mandatory action that must be followed.


Copyright© 2006 EIZO NANA O CORPORATION All rights reserved.

No part of this manual may be reproduced, stored in a retrieval system, or transmitted, in any form or by any means, electronic, mechanical, or otherwise, without the prior written permission of EIZO NANA O CORPORATION.

EIZO NANA O CORPORATION is under no obligation to hold any submitted material or information confidential unless prior arrangements are made pursuant to EIZO NANA O CORPORATION's receipt of said information. Although every effort has been made to ensure that this manual provides up-to-date information, please note that EIZO sound unit specifications are subject to change without notice.

*i*Sound L3 is a trademark of EIZO NANA O CORPORATION.
EIZO is a registered trademark of EIZO NANA O CORPORATION.

TABLE OF CONTENTS

 PRECAUTIONS.....	4
1. INTRODUCTION.....	6
2. CONTROLS & CONNECTORS	7
3. INSTALLATION.....	8
4. SPEAKERS & SOUND CONTROL	11
5. TROUBLESHOOTING	12
6. CLEANING.....	13
7. SPECIFICATIONS.....	14
LIMITED WARRANTY	16

PRECAUTIONS

To ensure personal safety and proper maintenance, please read this section and the caution statements on the unit (refer to the figure below).

[Location of the Caution Statement]

• Top view



CAUTION! Do not remove cover.
ATTENTION! Ne pas enlever le couvercle arriere.
ACHTUNG! Rückwand nicht entfernen.
注意! サービスマン以外の方は、裏ふたを開けないでください。

WARNING

Keep small objects or liquids away from this product.

If small objects or liquid accidentally enters into this product, fire, electric shock, or equipment damage may result.



CAUTION

When adjusting the viewing angle of the monitor, do not grasp the sound unit.

Adjusting the monitor by grasping the sound unit may dislodge it from or tip over the monitor, and may result in injury or equipment damage.



Remove the sound unit whenever moving the monitor.

Moving the monitor with the sound unit attached is dangerous. It may result in injury or equipment damage.



Attach only to specified EIZO LCD monitors.

Attaching to other monitors may cause the monitor to fall, which may result in injury or equipment damage.



For the specified monitors, please visit our website at <http://www.eizo.com/>.

For proper operation

This product is shielded to prevent magnetic field interference. However, do not place any magnetic items (ex. watches, recorded cassette tapes, cash cards, floppy diskette, etc.) near the unit to avoid any ill-effects to the items.

1. INTRODUCTION

Thank you for choosing the EIZO *i*:Sound™ L3 sound unit.

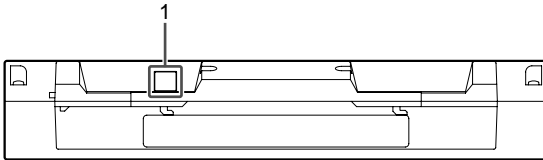
Package Contents

Please contact your local dealer for assistance if any of the listed items are missing or damaged.
Please retain the packing materials for future transport of this product.

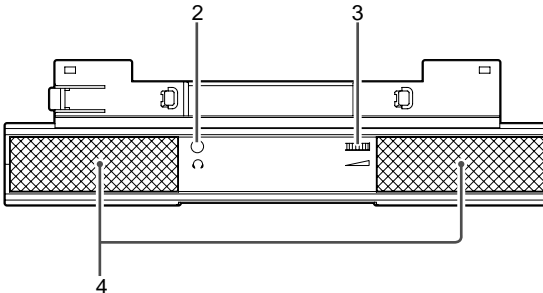
<i>i</i>:Sound L3 Sound Unit	1
USB Cable (MD-C93)	1
User's Manual	1

2. CONTROLS & CONNECTORS

• Top view



• Front view



1. USB upstream port

When this port is connected to a downstream port of a PC, the PC provides sound and power. On/Off operation depends on the PC's main power.

2. Headphones jack

Connect headphones to this jack to hear the sound from the headphones. When using the headphones, no sound is output from the speakers.

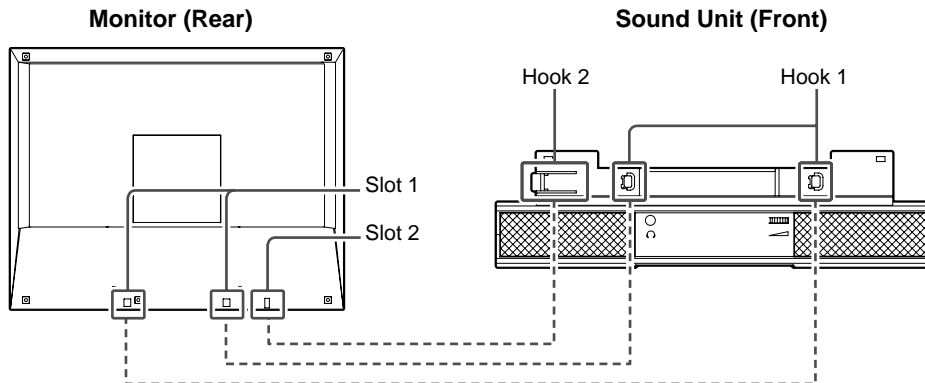
3. Volume control dial

Use to adjust the sound level from the speakers or the headphones.

4. Speakers

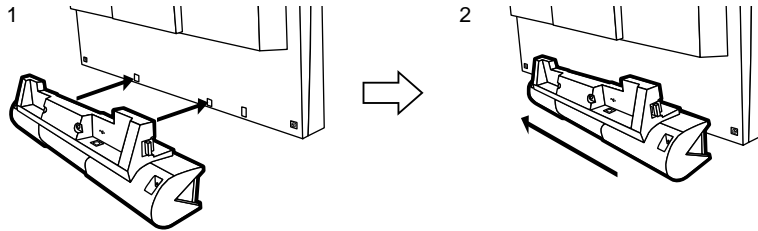
3. INSTALLATION

1. Check the mounting positions of the monitor and the sound unit shown below.



2. Attach the sound unit to the monitor.

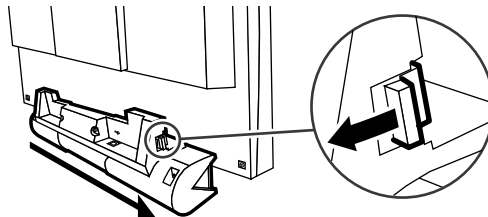
1. Attach the sound unit to the monitor. Place the sound unit under the monitor screen and insert the hook 1 on top of the unit into the slot 1 located at the bottom rear of the monitor.
2. Slide the unit to the left until you hear it clicks. Then hook 2 will snap into slot 2.



NOTE

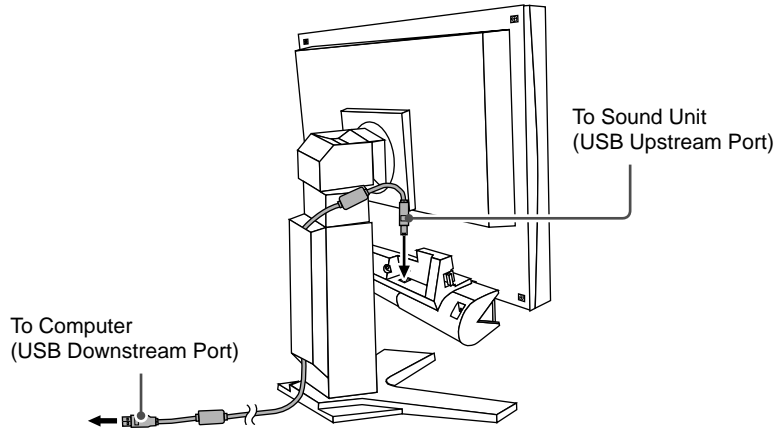
- **To remove the sound unit from the monitor**

At the rear of the monitor, hold the unit with both hands and slide the sound unit to the right and pulling hook 2 out.



3. Connect the USB cable to the sound unit.

Connect the USB downstream port of a PC to the USB upstream port of the sound unit using the USB Cable.



4. SPEAKERS & SOUND CONTROL

1. See the volume setting of your PC.

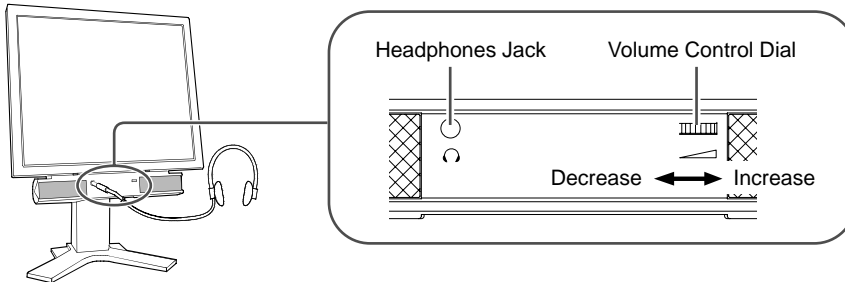
If you use Windows OS, maximize the volume control of the PC.

2. Use the volume control dial of the sound unit to adjust to the desired sound level.

NOTE

- **To use headphones**

Connect the plug of the headphones to the headphones jack of the sound unit. (When headphones are connected, no sound can be heard from the speakers.)



5. TROUBLESHOOTING

If a problem persists even after applying the remedies suggested below, contact an EIZO dealer.

Problem	Points to check and possible solutions
1. No sound	<ul style="list-style-type: none">□ Check that the USB cable is correctly connected.□ Check that the PC is turned ON.□ Check the settings of the PC and the audio playback software.□ Check that the volume of the sound unit is correctly set.□ Check that the audio playback mode of the PC is not set to “Analog”. If it is set to “Analog”, sound may not be output.□ Check that the headphones are not connected. If they are connected, no sound is output from the speakers.
2. No sound from headphones	<ul style="list-style-type: none">□ Check the points described above. Then check that the headphones are correctly connected.
3. Sound skips	<ul style="list-style-type: none">□ If the PC is overburdened, the sound may skip. Perform the following steps to reduce stress on the PC.<ul style="list-style-type: none">– Exit unnecessary applications.– If your hard disk supports DMA transfer, turn ON DMA transfer.– If the playback software with visual effects such as Windows Media Player is running, disable the visual effects

6. CLEANING

Periodic cleaning is recommended to keep the sound unit looking new and to prolong its operation lifetime.

To remove stains, wipe the unit with a soft, lightly moistened cloth using a mild detergent.

NOTE

- **Never use thinner, benzene, or other strong solvents or abrasive cleaners to clean this product, as these may cause damage.**
-

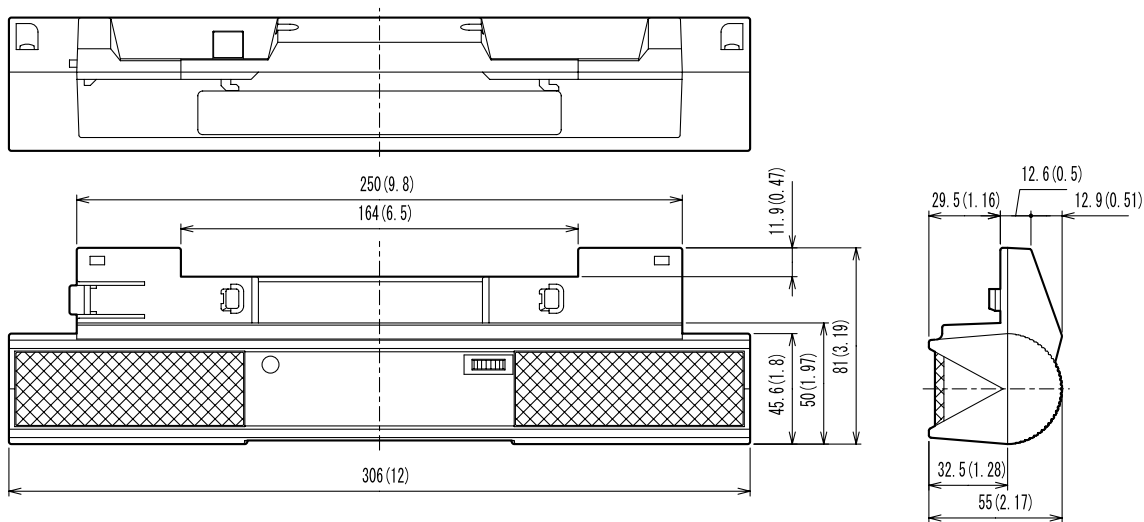
7. SPECIFICATIONS

List of Specifications

Speakers	4 cm x 2.8 cm (two)	
Speaker System	Stereo system with built-in amplifier	
Amplifier Output (min.)	0.9 W + 0.9 W	
Frequency Response	200 Hz ~ 20 kHz	
Interface	USB Specification Rev 1.1	
Control	Volume Control	
Power Supply	5V±5% (supplied from USB port)	
Power Consumption (max.)	2.5 W	
OS	Windows 2000 Professional (Japanese/English edition) Windows XP Home/Professional (Japanese/English edition) (For Windows XP, use the latest version of the USB audio driver, which is available on the Windows Update site, or apply Service Pack 1 or later.) Mac OS Ver 9.1 or later (Japanese/English edition) Mac OS X Ver 10.0 or later (English edition) Mac OS X Ver 10.1 or later (Japanese edition)	
Dimensions	306 mm (W) x 81 mm (H) x 55 mm (D) (12.0" (W) x 3.2" (H) x 2.2" (D))	
Weight	430 g (0.9 lbs.)	
Environmental Conditions	Temperature	Operating: 0 °C ~ 35 °C (32 °F ~ 95 °F) Storage: -20 °C ~ 60 °C (-4 °F ~ 140 °F)
	Humidity	30% ~ 80% R.H. Non-condensing

Dimensions

mm (inch)



LIMITED WARRANTY

EIZO NANO CORPORATION (hereinafter referred to as “EIZO”) and distributors authorized by EIZO (hereinafter referred to as the “Distributors”) warrant, subject to and in accordance with the terms of this limited warranty (hereinafter referred to as the “Warranty”), to the original purchaser (hereinafter referred to as the “Original Purchaser”) who purchased the product specified in this document (hereinafter referred to as the “Product”) from EIZO or Distributors, that Product shall be free from defects in material and workmanship for a period of three (3) years from the date of purchase.

EIZO and Distributors will cease to hold or store any parts of the Product upon expiration of five (5) years after the production of such parts is discontinued.

This warranty is valid only in the countries or territories where the Distributors are located.

In the event of malfunction of the Product during the warranty period attributable directly to defective material and/or workmanship, EIZO and Distributors will, at their option, either repair or replace the defective product.

Notwithstanding any other provision of this Warranty, EIZO and Distributors shall have no obligation under this Warranty whatsoever in any of the cases as set forth below:

- (a) Any defect of the Product caused by freight damage, modification, alteration, abuse, misuse, accident, incorrect installation, disaster, faulty maintenance and/or improper repair by third party other than EIZO and Distributors;
- (b) Any incompatibility of the Product due to possible technical innovations and/or regulations;
- (c) Any defect of the Product caused by external equipment;
- (d) Any defect of the Product on which the original serial number has been altered or removed;
- (e) Any normal deterioration of the Product, particularly that of consumables, accessories, and/or attachments (e.g. buttons, rotating parts, cables, User’s Manual, etc.); and
- (f) Any deformation, discoloration, and/or warp of the exterior of the Product including that of the surface of the LCD panel.

To obtain service under the Warranty, the Original Purchaser must deliver the Product, freight prepaid, in its original package or other adequate package affording an equal degree of protection, assuming the risk of damage and/or loss in transit, to the local Distributor. The Original Purchaser must present proof of purchase of the Product and the date of such purchase when requesting services under the Warranty.

The Warranty Period for any replaced and/or repaired product under this Warranty shall expire at the end of the original Warranty Period.

EIZO OR DISTRIBUTORS ARE NOT RESPONSIBLE FOR ANY DAMAGE TO, OR LOSS OF, DATA OR OTHER INFORMATION STORED IN ANY MEDIA OR ANY PART OF ANY PRODUCT RETURNED TO EIZO OR EIZO’S AUTHORIZED DISTRIBUTORS FOR REPAIR.

EIZO AND DISTRIBUTORS MAKE NO FURTHER WARRANTIES, EXPRESSED OR IMPLIED, WITH RESPECT TO THE PRODUCT AND ITS QUALITY, PERFORMANCE, MERCHANTABILITY OR FITNESS FOR ANY PARTICULAR USE. IN NO EVENT SHALL EIZO OR DISTRIBUTORS BE LIABLE FOR ANY INCIDENTAL, INDIRECT, SPECIAL, CONSEQUENTIAL OR OTHER DAMAGE WHATSOEVER (INCLUDING, WITHOUT LIMITATION, DAMAGES FOR LOSS OF PROFIT, BUSINESS INTERRUPTION, LOSS OF BUSINESS INFORMATION, OR ANY OTHER PECUNIARY LOSS) ARISING OUT OF THE USE OR INABILITY TO USE THE PRODUCT OR IN ANY CONNECTION WITH THE PRODUCTS, WHETHER BASED ON CONTRACT, TORT, NEGLIGENCE, STRICT LIABILITY OR OTHERWISE, EVEN IF EIZO OR DISTRIBUTORS HAVE BEEN ADVISED OF THE POSSIBILITY OF SUCH DAMAGES. THIS EXCLUSION ALSO INCLUDES ANY LIABILITY WHICH MAY ARISE OUT OF THIRD PARTY CLAIMS AGAINST THE ORIGINAL PURCHASER. THE ESSENCE OF THE PROVISION IS TO LIMIT THE POTENTIAL LIABILITY OF EIZO AND DISTRIBUTORS ARISING OUT OF THIS LIMITED WARRANTY AND/OR SALES.

For U.S.A, Canada, etc. (rated 100-120 Vac) Only

FCC Declaration of Conformity

We, the Responsible Party EIZO NANAO TECHNOLOGIES INC.
5710 Warland Drive, Cypress, CA 90630
Phone: (562) 431-5011

declare that the product Trade name: EIZO
Model: i-Sound L3

is in conformity with Part 15 of the FCC Rules. Operation of this product is subject to the following two conditions: (1) this device may not cause harmful interference, and (2) this device must accept any interference received, including interference that may cause undesired operation.

This equipment has been tested and found to comply with the limits for a Class B digital device, pursuant to Part 15 of the FCC Rules. These limits are designed to provide reasonable protection against harmful interference in a residential installation. This equipment generates, uses, and can radiate radio frequency energy and, if not installed and used in accordance with the instructions, may cause harmful interference to radio communications. However, there is no guarantee that interference will not occur in a particular installation. If this equipment does cause harmful interference to radio or television reception, which can be determined by turning the equipment off and on, the user is encouraged to try to correct the interference by one or more of the following measures.

- * Reorient or relocate the receiving antenna.
- * Increase the separation between the equipment and receiver.
- * Connect the equipment into an outlet on a circuit different from that to which the receiver is connected.
- * Consult the dealer or an experienced radio/TV technician for help.

Changes or modifications not expressly approved by the party responsible for compliance could void the user's authority to operate the equipment.

Note

Use the attached USB cable with this unit so as to keep interference within the limits of a Class B digital device.

Canadian Notice

This Class B digital apparatus complies with Canadian ICES-003.
Cet appareil numérique de la classe B est conforme à la norme NMB-003 du Canada.

„Maschinenlärminformations-Verordnung 3. GPSGV:
Der höchste Schalldruckpegel beträgt 70 dB(A) oder weniger gemäss EN ISO 7779“

EIZO NANA O CORPORATION

153 Shimokashiwano, Hakusan, Ishikawa 924-8566 Japan
Phone: +81 76 277 6792 Fax: +81 76 277 6793

EIZO NANA O TECHNOLOGIES INC.

5710 Warland Drive, Cypress, CA 90630
Phone: +1 562 431 5011 Fax: +1 562 431 4811

EIZO EUROPE AB

Kanalvägen 12 194 61, Upplands Väsby, Sweden
Phone: +46 8 590 80 000 Fax: +46 8 590 91 575

Avnet Technology Solutions GmbH

Lötscher Weg 66, D-41334 Nettetal, Germany
Phone: +49 2153 733-400 Fax: +49 2153 733-483

株式会社ナナオ

〒924-8566 石川県白山市下柏野町153番地

<http://www.eizo.com/>



1st Edition-July, 2006
Printed in Japan.

This document is printed on recycled chlorine free paper.

00NOL238A1
(U.M-ISOINDL3)