

Instructions for Use

RadiForce® MS236WT

Touch Panel Color LCD monitor

Important









Please read this “Instructions for Use”, and “Installation Manual” (separate volume) carefully to familiarize yourself with safe and effective usage.

Please retain this manual for future reference.

-
- For monitor adjustment and settings, refer to the “Installation Manual”.
 - For the latest product information including the “Instructions for Use”, refer to our web site :
<http://www.eizoglobal.com>
-

SAFETY SYMBOLS

This manual and this product use the safety symbols below. They denote critical information. Please read them carefully.

 WARNING Failure to abide by the information in a WARNING may result in serious injury and can be life threatening.	 CAUTION Failure to abide by the information in a CAUTION may result in moderate injury and/or property or product damage.
 Indicates a warning or caution. For example,  indicates an “electrical shock” hazard.	
 Indicates a prohibited action. For example,  means “Do not disassemble”.	
 Indicates a mandatory action. For example,  means “Ground the unit”.	

This product has been adjusted specifically for use in the region to which it was originally shipped. If operated outside this region, the product may not perform as stated in the specifications.

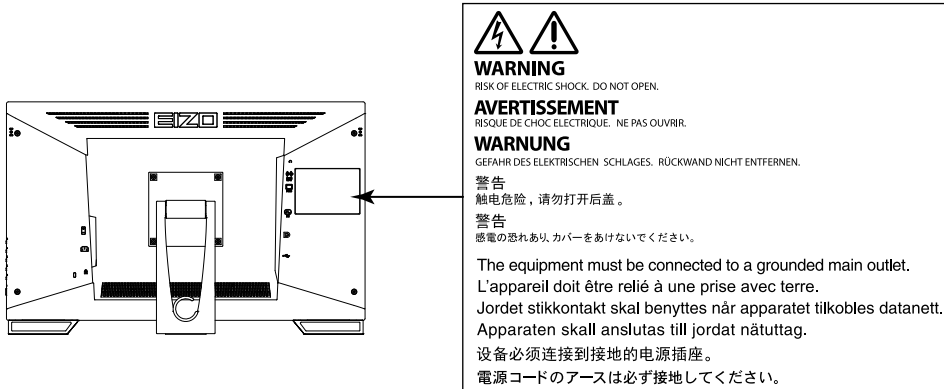
No part of this manual may be reproduced, stored in a retrieval system, or transmitted, in any form or by any means, electronic, mechanical, or otherwise, without the prior written permission of EIZO Corporation. EIZO Corporation is under no obligation to hold any submitted material or information confidential unless prior arrangements are made pursuant to EIZO Corporation’s receipt of said information. Although every effort has been made to ensure that this manual provides up-to-date information, please note that EIZO monitor specifications are subject to change without notice.

PRECAUTIONS

● IMPORTANT

- This product has been adjusted specifically for use in the region to which it was originally shipped. If the product is used outside the region, it may not operate as specified in the specifications.
- To personal safety and proper maintenance, please read carefully this section and the caution statements on the monitor.

Location of the Caution Statements



Symbols on the unit

Symbol	This symbol indicates	
	Main Power Switch:	Press to turn the monitor's main power off.
	Main Power Switch:	Press to turn the monitor's main power on.
	Power button:	Press to turn the monitor's power on or off.
	Alternating current	
	Alerting electrical hazard	
	CAUTION:	Refer to "SAFETY SYMBOLS" (page 2).
	WEEE marking:	Product must be disposed of separately; materials may be recycled.
	CE marking:	EU conformity mark in accordance with the provisions of Council Directive and/or Regulation (EU).
	Manufacturer	
	Date of manufacture	
	Medical device in EU	
	Importer in EU	
	Mark signifying compliance with UK regulations	
	UK Responsible Person	
	Authorised representative in Switzerland	

WARNING

If the unit begins to emit smoke, smells like something is burning, or makes strange noises, disconnect all power connections immediately and contact your EIZO representative for advice. Attempting to use a malfunctioning unit may result in fire, electric shock, or equipment damage.

Do not open the cabinet or modify the unit.

Opening the cabinet or modifying the unit may result in fire, electric shock, or burn.



Refer all servicing to qualified service personnel.

Do not attempt to service this product yourself as opening or removing covers may result in fire, electric shock, or equipment damage.

Keep small objects or liquids away from the unit.

Small objects accidentally falling through the ventilation slots into the cabinet or spillage into the cabinet may result in fire, electric shock, or equipment damage. If an object or liquid falls/spills into the cabinet, unplug the unit immediately. Have the unit checked by a qualified service engineer before using it again.



Place the unit at a sturdy and stable place.

A unit placed on an inadequate surface may fall and result in injury or equipment damage. If the unit falls, disconnect the power immediately and ask your local EIZO representative for advice. Do not continue using a damaged unit. Using a damaged unit may result in fire or electric shock.

Use the unit in an appropriate location.

Otherwise, fire, electric shock, or equipment damage may result.

- Do not place outdoors.
- Do not place in any form of transportation (ships, aircraft, trains, automobiles, etc.).
- Do not place in dusty or humid environments.
- Do not place in locations where water may be splashed on the screen (bathrooms, kitchens, etc.)
- Do not place in locations where steam comes in direct contact with the screen.
- Do not place near heat generating devices or humidifiers.
- Do not place in locations where the product is subject to direct sunlight.
- Do not place in environments with inflammable gas.
- Do not place in environments with corrosive gases (such as sulfur dioxide, hydrogen sulfide, nitrogen dioxide, chlorine, ammonia, and ozone)
- Do not place in environments with dust, components that accelerate corrosion in the atmosphere (such as sodium chloride and sulfur), conductive metals, and so on



To avoid danger of suffocation, keep the plastic packing bags away from babies and children.

Use the enclosed power cord and connect to the standard power outlet in your country.

Be sure to use within the rated voltage of the power cord. Otherwise, fire or electric shock may result.

Power supply: 100-240Vac 50/60Hz

To disconnect the power cord, grasp the plug firmly and pull.

Tugging on the cord may damage and result in fire or electric shock.



The equipment must be connected to a grounded main outlet.

Failure to do so may result in fire or electric shock.



Use the correct voltage.

- The unit is designed for use with a specific voltage only. Connection to another voltage than specified in this "Instructions for Use" may cause fire, electric shock, or equipment damage.
Power supply: 100-240Vac 50/60Hz
 - Do not overload your power circuit, as this may result in fire or electric shock.
-

 **WARNING**

Handle the power cord with care.

- Do not place the cord underneath the unit or other heavy objects.
- Do not pull on or tie the cord.

If the power cord becomes damaged, stop using it. Using of a damaged cord may result in fire or electric shock.



The operator should not touch the patient while touching the product.

This product has not been designed to be touched by patients.

Never touch the plug and power cord if it begins to thunder.

Touching them may result in electric shock.



When attaching an arm stand, please refer to the user's manual of the arm stand and install the unit securely.

Otherwise, the unit may become detached, resulting in injury and/or equipment damage. Before installation, make sure that desks, walls, or any other installation surface has adequate mechanical strength. If the unit falls, please ask your local EIZO representative for advice. Do not continue using a damaged unit. Using a damaged unit may result in fire or electric shock. When reattaching the tilt stand, please use the same screws and tighten them securely.

Do not touch a damaged LCD panel directly with bare hands.

Liquid crystal is poisonous. If any part of your skin comes in direct contact with the panel, wash thoroughly. If liquid crystal enters your eyes or mouth, immediately flush with large amounts of water and seek medical attention.



Fluorescent backlight lamps contain mercury (the products that have LED backlight lamps contain no mercury), dispose according to local, state or federal laws.

Exposure to elemental mercury can result in effects on the nervous system, including tremors, memory loss, and headaches.



CAUTION

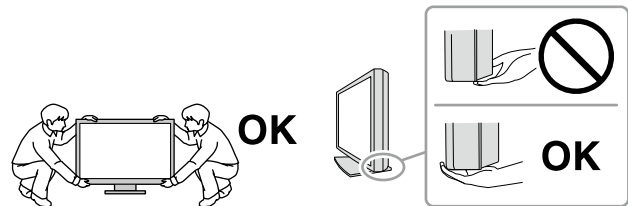
Handle with care when carrying the unit.

Disconnect the power cord and cables when moving the unit. Moving the unit with the power cord or cables attached is dangerous and may result in injury.

Carry or place the unit according to the correct specified methods.

- When carrying, grasp and firmly hold the unit as shown in the illustration below.
- Monitors of size 30 inches and above are heavy. When unpacking and/or carrying the monitor, ensure at least two people are utilized.

Dropping the unit may result in injury or equipment damage.



Do not block the ventilation slots on the cabinet.

- Do not place any objects on the ventilation slots.
- Do not install the unit in a place with poor ventilation or inadequate space.
- Do not use the unit laid down or upside down.

Blocking the ventilation slots prevents proper airflow and may result in fire, electric shock, or equipment damage.



Do not touch the plug with wet hands.

Doing so may result in electrical shock.



Use an easily accessible power outlet.

This is to facilitate disconnecting the power in case of a problem.

Periodically clean the area around the power plug and the ventilation slot of the monitor.

Dust, water, or oil on the plug may result in fire.

Unplug the unit before cleaning it.

Cleaning the unit while it is plugged into a power outlet may result in electric shock.

If you plan to leave the unit unused for an extended period of time, disconnect the power cord from the wall socket after turning off the power switch for the safety and the power conservation.

For users in the territory of the EEA and Switzerland:

Any serious incident that has occurred in relation to the device should be reported to the Manufacturer and the Competent Authority of the Member State in which the user and/or patient is established.

Notice for This Monitor

Intended Use

This product is suited to clinical review. It does not support the display of mammography images for diagnosis.

Attention

- This product should be set to horizontal view mode when used for the purposes mentioned above.
- This product may not be covered by warranty for uses other than those described in this manual.
- The specifications noted in this manual are only applicable when the following are used:
 - Power cords provided with the product
 - Signal cables specified by us
- Only use optional products manufactured or specified by us with this product.

Precautions for Use

- Parts (such as the LCD panel) may deteriorate with the long-term. Periodically check that they are operating normally.
- When the screen image is changed after displaying the same image for extended periods of time, an afterimage may appear. Use the screen saver or power save function to avoid displaying the same image for extended periods of time.
- If the monitor displays continuously over a long period of time, dark smudges or burn-in may appear. To maximize the life of the monitor, we recommend the monitor be turned off periodically.
- An afterimage may appear even after a short time period has elapsed depending on the displayed image. If this occurs, changing the image or leaving the power off for a few hours may solve the problem.
- The backlight of the LCD panel has a fixed lifetime. When the screen becomes dark or begins to flicker, please contact your local EIZO representative.
- The screen may have defective pixels or a small number of light dots on the screen. This is due to the characteristics of the panel itself, and is not a malfunction of the product.
- Do not press on the panel or edge of the frame strongly, as this may result in display malfunctions, such as interference patterns, etc. If pressure is continually applied to the panel, it may deteriorate or damage your panel. (If the pressure marks remain on the panel, leave the monitor with a black or white screen. The symptom may disappear.)
- Do not scratch or press on the panel with any sharp objects, as this may result in damage to the panel. Do not attempt to brush with tissues as this may scratch the panel.
- When the monitor is cold and brought into a room or the room temperature goes up quickly, dew condensation may occur on the interior and exterior surfaces of the monitor. In that case, do not turn the monitor on. Instead wait until the dew condensation disappears, otherwise it may cause some damage to the monitor.

Cautions for the Use of the Touch Panel

- When performing touch operations, be careful of the following points. Otherwise, damage may occur to the monitor.
 - Do not strongly press, scratch, or poke the panel.
 - Do not touch the panel with hard objects such as ballpoint pens or metals.

To Use the Monitor for a Long Time

● Maintenance

- The display quality of monitors is affected by the quality level of input signals and the degradation of the product.
- It takes about 30 minutes for the performance of electrical parts to stabilize. Please wait 30 minutes or more after the monitor power has been turned on or the monitor has recovered from the power saving mode, and then adjust the monitor.

● Cleaning

Periodic cleaning is recommended to keep the monitor looking new and to prolong its operation lifetime.

The stains on the cabinet and LCD panel surface can be removed by using the provided cleaning cloth.

Chemicals that may be used for cleaning

Material name	Product name
Ethanol	Ethanol
Isopropyl alcohol	Isopropyl alcohol
Chlorhexidine	Hibitane
Sodium hypochlorite	Purelox
Benzalkonium chloride	Welpas
Alkyldiaminoethylglycine	Tego 51
Glutaral	Sterihyde
Glutaral	Cidex Plus28

Attention

- Do not allow liquid to enter the clearance between the panel and the panel frame.
- Do not use chemicals on a frequent basis. Chemicals such as alcohol and antiseptic solution may cause gloss variation, tarnishing, and fading of the cabinet or panel, and also quality deterioration of the image.
- Never use any thinner, benzene, wax, and abrasive cleaner, which may damage the cabinet or panel.
- Do not let chemicals come into direct contact with the monitor.

To Use the Monitor Comfortably

- An excessively dark or bright screen may affect your eyes. Adjust the brightness of the monitor according to the environmental conditions.
- Staring at the monitor for a long time tires your eyes. Take a 10-minute rest every hour.
- Look at the screen from a proper distance and from a proper angle.

CONTENTS

PRECAUTIONS	3	Appendix	23
● IMPORTANT	3	Medical Standard	23
Notice for This Monitor	7	FCC Declaration of Conformity	24
Intended Use	7	Declaration of compliance with India RoHS	25
Precautions for Use	7	EMC Information	26
To Use the Monitor for a Long Time	8		
● Maintenance	8		
● Cleaning	8		
To Use the Monitor Comfortably	8		
CONTENTS	9		
Chapter 1 Introduction	10		
1-1. Features	10		
● Full-flat Design	10		
● Easy-to-touch Stand Mechanism (LaidBack Stand specification)	10		
● 10-point Multi-touch Function	10		
1-2. Package Contents	11		
● EIZO LCD Utility Disk	11		
1-3. Controls and Functions	12		
● Front	12		
● Rear	13		
Chapter 2 Installation / Connection	14		
2-1. Before Installing the Product	14		
● Before Installing the Product	14		
● Installation Requirements	14		
2-2. Connecting Cables	15		
2-3. Turning On the Power	16		
2-4. Adjusting the Angle	17		
2-5. Attaching the Touch Pen Holder	17		
Chapter 3 Touch Panel Settings	18		
3-1. Touch Panel Setup	18		
3-2. Touch Panel Setting Method	18		
3-3. Enabling or Disabling the Touch Panel	19		
3-4. Calibrating the Touch Sensitivity	19		
Chapter 4 No-Picture Problem	20		
Chapter 5 Specifications	21		
5-1. Specifications List	21		
5-2. Compatible Resolutions	22		
● Analog Input (D-Sub)	22		
● Digital Signal (DisplayPort / DVI-D) Input	22		
5-3. Optional Accessories	22		

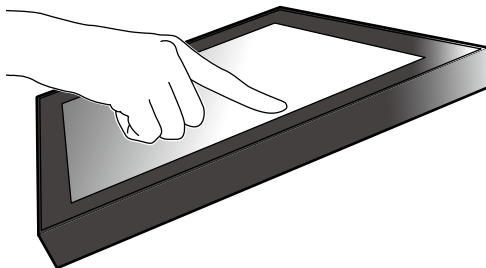
Chapter 1 Introduction

Thank you very much for choosing an EIZO color LCD monitor.

1-1. Features

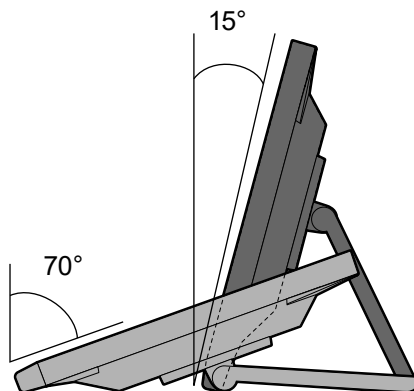
● Full-flat Design

The full-flat design with no steps is adopted in the bezel part. You can securely touch up to each edge of the screen even with fingertips.



● Easy-to-touch Stand Mechanism (LaidBack Stand specification)

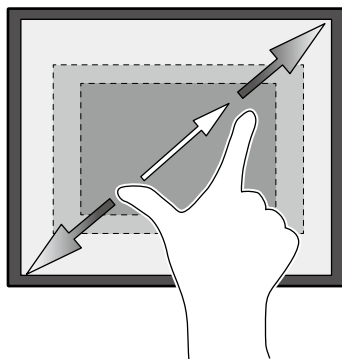
The tilt angle can be adjusted steplessly. You can smoothly change to the easy-to-work screen position to suit your needs such as for office work or multi-touch operations.



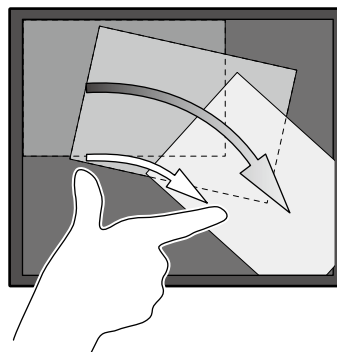
● 10-point Multi-touch Function

You can perform operations such as enlargement, reduction, and rotation using the multi-touch function. The touch panel reacts via light touching of the screen with fingers, thereby, enabling comfortable flick and drag operations.

Enlarge / Reduce



Rotate



1-2. Package Contents

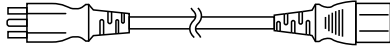
Check that all of the following items are contained in the package. If any of these are missing, contact your dealer or local EIZO representative listed on the attached sheet.

Note

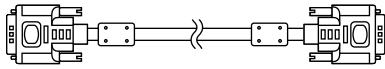
- It is recommended that the box and packing materials be stored so that they can be used to move or transport this product.

- Monitor

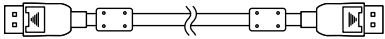
- Power cord



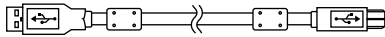
- Digital signal cable: DD300 x 1
DVI - DVI



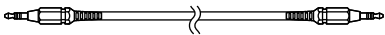
- Digital signal cable: PP300 x 1
DisplayPort - DisplayPort



- USB cable: UU300 x 1



- Stereo Mini Jack cable



- Instructions for Use x 1

- EIZO LCD Utility Disk (CD-ROM) x 1

- Cleaning cloth x 1

- Touch pen x 1

- Touch pen holder x 1

- Touch pen holder fixing screw x 1

- Screw hole cover sheet x 2

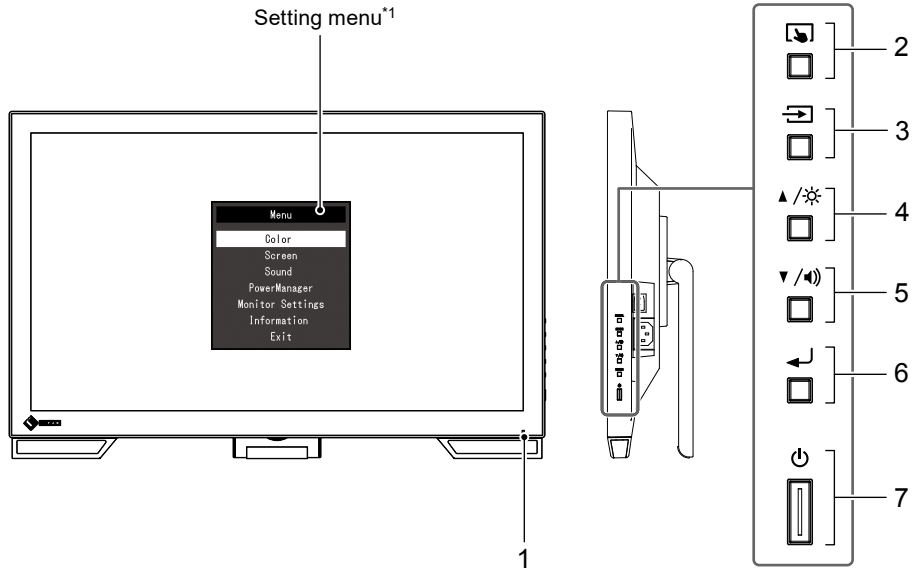
● EIZO LCD Utility Disk


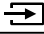



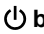
The CD-ROM contains the following items. Refer to "Readme.txt" on the disk for software startup procedures or file reference procedures.

- Readme.txt file
- Monitor Installation Manual
- Touch panel driver (DMT-DD)
- Touch panel driver User's Manual
- Touch panel sensitivity calibration software (TPOffset)
- Touch panel sensitivity calibration software User's Manual
- Outline dimensions

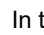
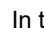
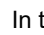
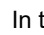
1-3. Controls and Functions

● Front

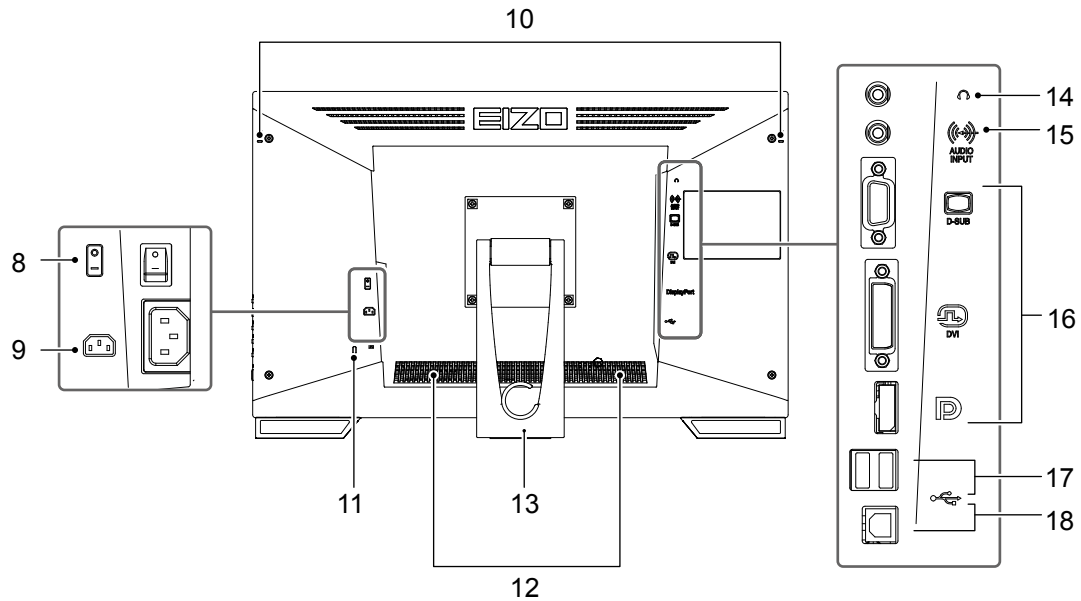


1. Power Indicator	Indicates the monitor's operation status. Blue: Screen display Orange: Power saving mode OFF: Main power off / Power off
2.  button	Switches the touch panel enable and disable modes, or calibrates the touch sensitivity (page 19).
3.  button	Switches input signals for display.
4.  button*2	Provides an item selection and function adjustment or setting option while the Setting menu is displayed, and displays the brightness adjustment screen.
5.  button*2	Provides an item selection and function adjustment or setting option while the Setting menu is displayed, and displays the volume control screen.
6.  button	Displays the Setting menu, determines an adjustment item of each menu, and saves values adjusted.
7.  button	Turns the power on or off.

*1 For information on how to use, refer to the Installation Manual (on the CD-ROM).

*2 In this Instructions for Use, the  button may be hereafter simply referred as , and the  button as .

● Rear



8. Main power switch	Turns the main power on or off. : ON, ○ : OFF
9. Power connector	Connects the power cord.
10. Touch pen holder attachment hole	Used to attach a touch pen holder. (See page 17)
11. Security lock slot	Complies with Kensington's MicroSaver security system.
12. Speaker	Outputs audio source.
13. Stand (with cable holder)	Used to adjust the angle of the monitor screen.
14. Headphone jack	Connects the headphones.
15. Analog voice input connector	Outputs external voice from the monitor.
16. Input signal connector	Connect it to the PC. Upper port: D-Sub mini 15-pin connector Medium port: DVI-D connector Lower port: DisplayPort connector
17. USB downstream port	Connects a peripheral USB 2.0 device.
18. USB upstream port	Connects the USB cable for using the monitor as a touch panel monitor or for using the USB Hub function.

Chapter 2 Installation / Connection

2-1. Before Installing the Product

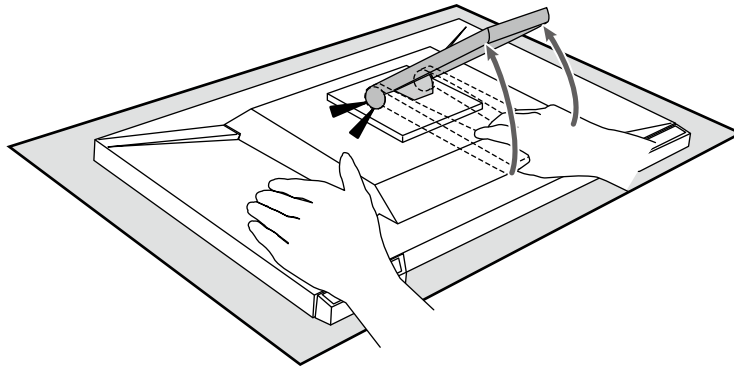
Carefully read "PRECAUTIONS" (page 3) and always follow the instructions.

Attention

- If you place this product on a lacquer-coated desk, the color may adhere to the bottom of the stand due to the composition of the rubber. Check the desk surface before use.

● Before Installing the Product

Place a soft cloth, etc. on the stable desk, and open the stand until it clicks into place.

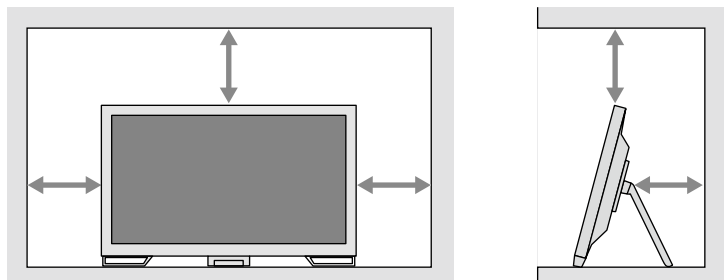


Attention

- Do not use the product, which remains packaged.
The stand is closed when the product is packaged. If you use the product with the stand closed, it may cause the monitor to fall down.

● Installation Requirements

When installing the monitor in a rack, ensure that there is adequate space around the sides, back and top of the monitor.



Attention

- Position the monitor so that there is no light to interfere with the screen.

2-2. Connecting Cables

Attention

- Check that the monitor and the PC are powered off.
- When replacing the current monitor with this monitor, see “5-2. Compatible Resolutions” (page 22) to change the PC settings for resolution and vertical scan frequency to those that are available for this monitor, before connecting the PC.

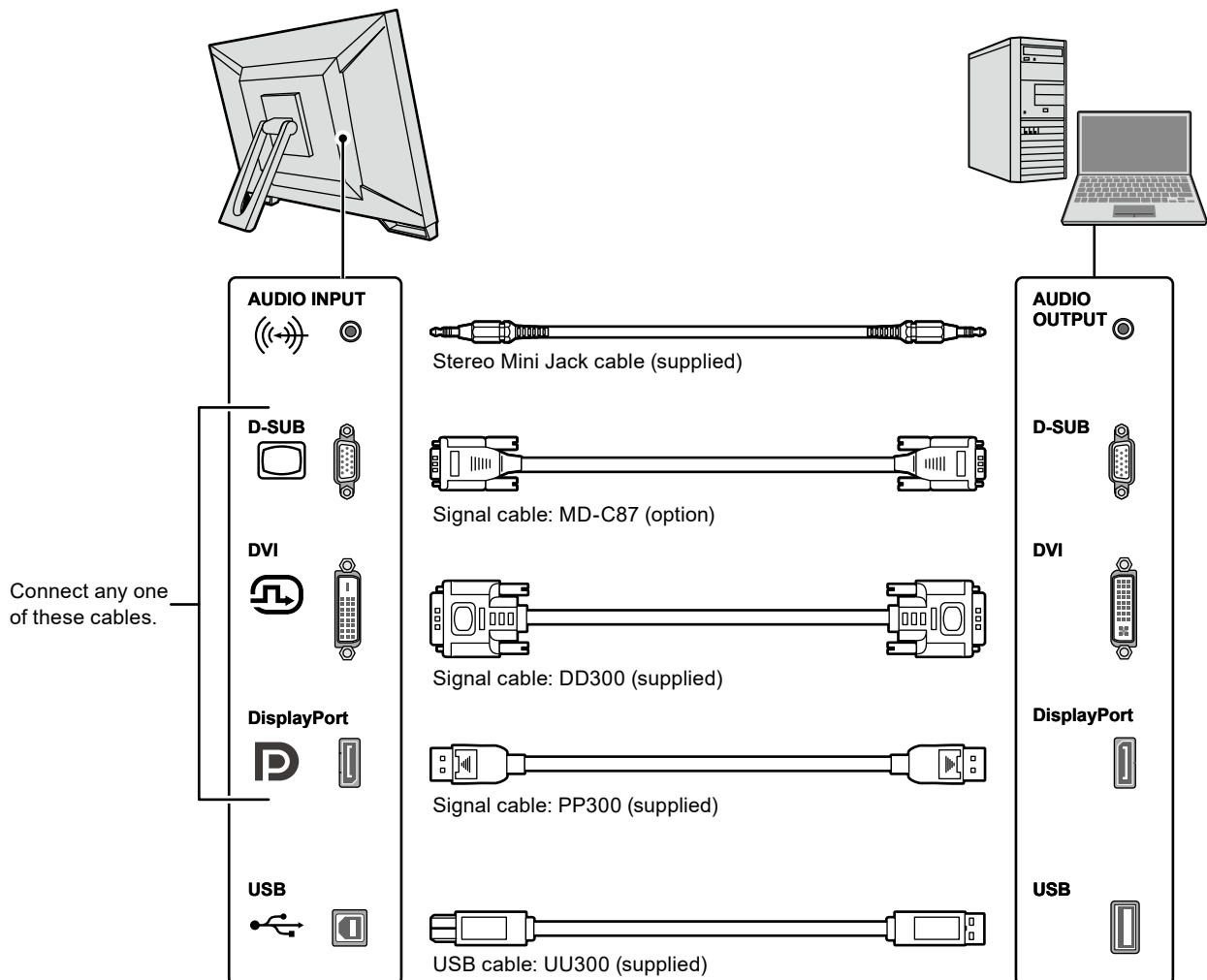
1. Connect the signal cable and USB cable.

Check the shapes of the connectors, and connect the cables. After connecting the DVI cable, tighten the fasteners to secure the connector.

When using the product as a touch panel monitor, connect the USB cable. If connected, the USB hub function is also enabled.

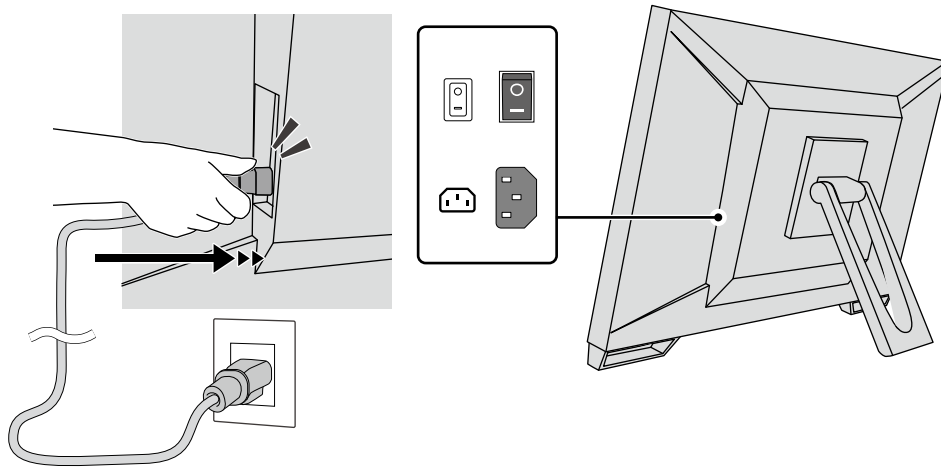
Attention

- When connecting to multiple PCs, switch the input signal. For details, refer to the Installation Manual (on the CD-ROM).



2. Plug the power cord into a power outlet and the power connector on the monitor.

Insert the power cord fully into the power connector on the monitor.



Attention

- For a two-core power outlet, use the two-core adapter supplied with the product, and be sure to ground the earth lead (green).
-

2-3. Turning On the Power

1. Check that the main power switch is turned on.

2. Press to turn the monitor on.

The power switch indicator of the monitor lights up blue.

If the indicator does not light up, see “Chapter 4 No-Picture Problem” (page 20).

3. Turn on the PC.

The screen image appears.

If an image does not appear, see “Chapter 4 No-Picture Problem” (page 20) for additional advice.

Attention

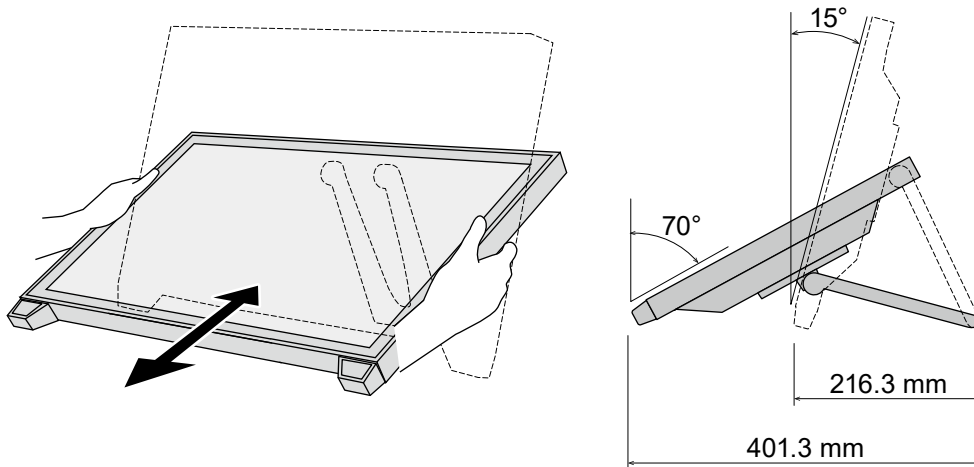
- For the maximum power saving, it is recommended that the power button be turned off. When not using the monitor, you can turn off the main power supply or disconnect the power plug so that the power is cut completely.
-

Note

- In order to maximize the monitor's lifespan by impeding brightness degradation and to reduce power consumption, carry out the following:
 - Use the power saving function of the PC or monitor.
 - Turn off the monitor after using it.
-

2-4. Adjusting the Angle

Hold left and right edges of the monitor with both hands, and adjust the vertical angle to the best condition for working.

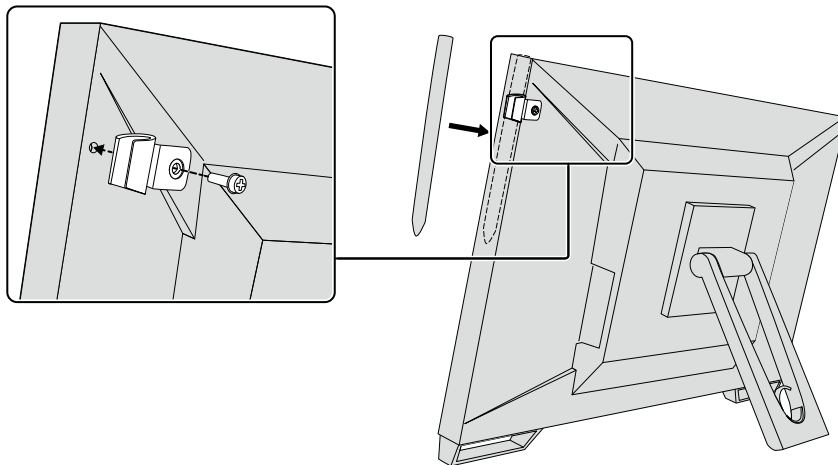


Attention

- After the adjustment is finished, make sure that the cables are correctly connected.

2-5. Attaching the Touch Pen Holder

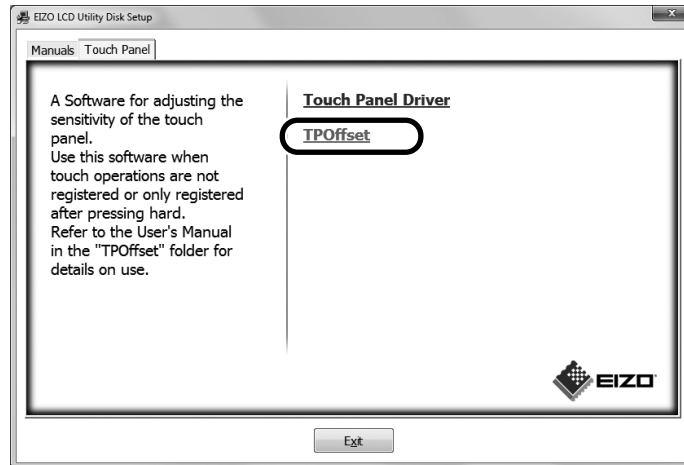
Attach the touch pen holder to any one of the right-hand and left-hand holes in the rear of the monitor. To attach the touch pen holder, use the touch pen holder fixing screw.



Chapter 3 Touch Panel Settings

3-1. Touch Panel Setup

First connect the USB cable. After installation is completed, run sensitivity calibration software "TPOffset". TPOffset is included on the EIZO LCD Utility Disk (CD-ROM).



Note

- TPOffset can also be downloaded from the EIZO website.
<http://www.eizoglobal.com>
- If necessary, execute TPOffset when:
 - the operating environment has been changed significantly;
 - you think that an operational characteristic is different from a previous one; or
 - there is a problem with touch operation such as cursor misalignment or cursor jump.

3-2. Touch Panel Setting Method

This product's touch panel functions vary depending on the driver you use and its settings. Configure settings to meet your usage applications.

Function	Windows standard driver	Dedicated touch panel driver (DMT-DD) ^{*1}	
Driver installation	Not required	Required	
Touch sound output	x	√	
Multi-connection ^{*2}	√ ^{*3}	√	
Operation mode	Touch digitizer ^{*4}	Touch digitizer ^{*4, 5}	Mouse emulation ^{*5}
Multi-touch operation	√	√	x

*1 Included in the EIZO LCD Utility Disk (CD-ROM).

*2 √: Two or more monitors can be connected to a single computer.

*3 Only available in Windows 11 / Windows 10.

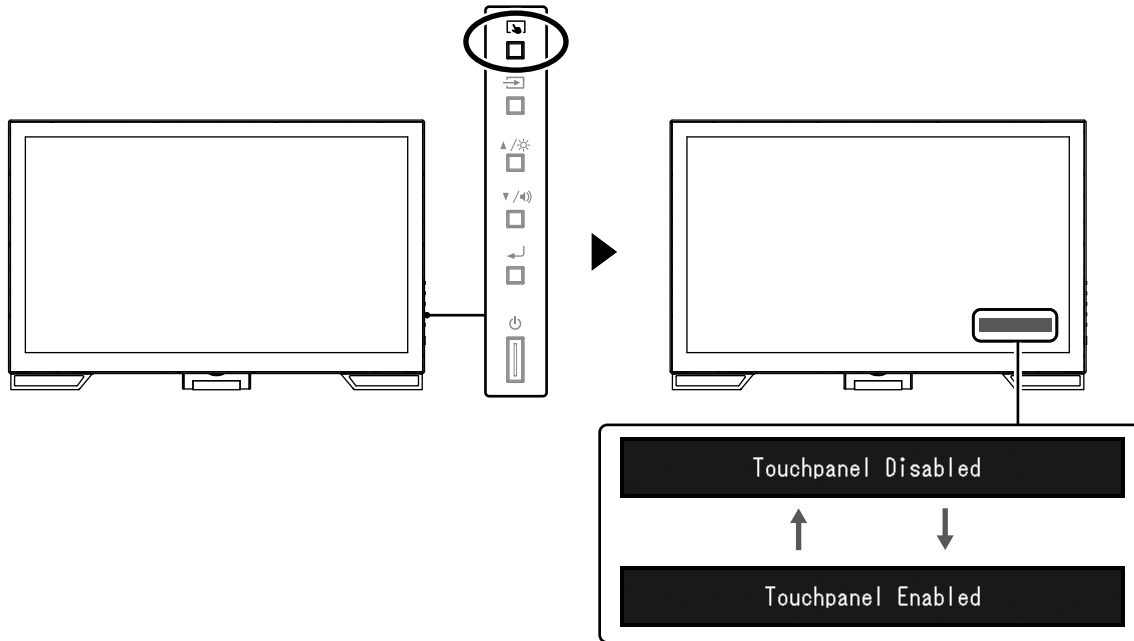
*4 Touch operation may not be recognized on an application designed by mouse emulation.

*5 For more information about the setup procedure, see the touch panel driver's User's Manual (included on the CD-ROM).


When using the Windows standard driver, refer to the monitor's Installation Manual (included on the CD-ROM).

3-3. Enabling or Disabling the Touch Panel

You can switch the touch panel enable and disable modes. This function is available, for example, to temporarily disable the touch panel function.

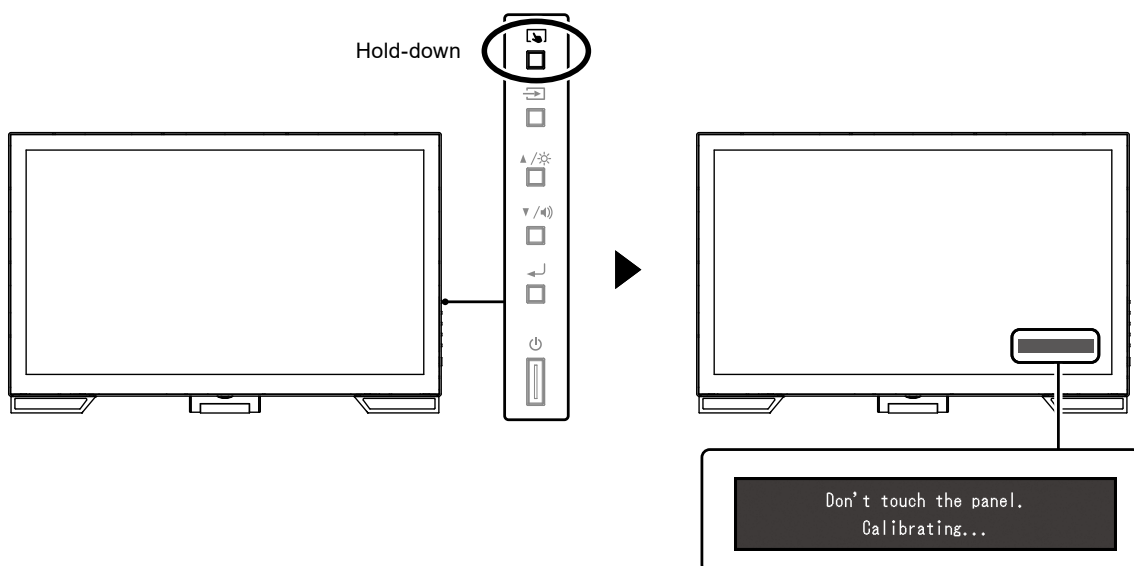


3-4. Calibrating the Touch Sensitivity

Holding down  allows you to calibrate the touch sensitivity. This calibration is available when there is a problem with touch operation.



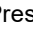

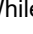

Note

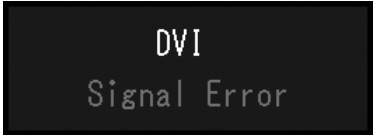
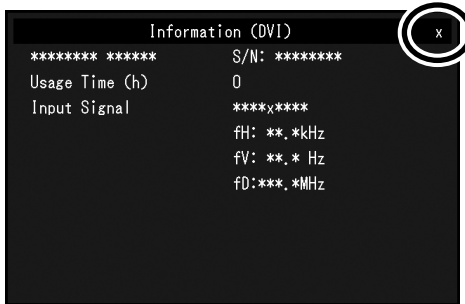
- After installing the monitor, always execute TPOffset.
- If this problem recurs after the touch sensitivity was calibrated, execute TPOffset (see "3-1. Touch Panel Setup" (page 18)).



Chapter 4 No-Picture Problem

For problems related to the display image quality and monitor functions, refer to the Installation Manual.

Problem	Possible cause and remedy
<p>1. No picture</p> <ul style="list-style-type: none"> Power indicator does not light up. Power indicator is lighting blue. Power indicator is lighting orange. Power indicator is flashing orange. 	<ul style="list-style-type: none"> Check whether the power cord is connected properly. Turn the main power switch on. Press . Turn off the main power, and then turn it on again a few minutes later. Increase "Brightness", "Contrast", or "Gain" in the Setting menu. For details, refer to the Installation Manual (on the CD-ROM). Switch the input signal using . Move the mouse or press any key on the keyboard. Touch the panel surface. Check whether the PC is turned on. Depending on the PC and graphics board, the input signal is not detected and the monitor does not recover from the power saving mode. If the screen is not displayed even after moving the mouse or pressing any key on the keyboard, turn the monitor off and on using its power button. When the screen is displayed, execute the following procedure. The problem may be improved. <ol style="list-style-type: none"> Press . While holding down , press  to turn on the monitor. "x" is displayed in the menu title of "Information" in the Setting menu. For details, refer to the Installation Manual (on the CD-ROM). Reboot the PC. <p>To return to the previous setting, perform steps 1 to 3 again.</p> This problem may occur when a PC is connected via the DisplayPort connector. Connect via the signal cable specified by EIZO, turn off the monitor, and then turn it on again.
<p>2. The message below appears.</p> <p>Example:</p> 	<p>This message appears when the signal is not input correctly even when the monitor functions properly.</p> <ul style="list-style-type: none"> The message shown left may appear, because some PCs do not output the signal immediately after power-on. Check whether the PC is turned on. Check whether the signal cable is connected properly. Switch the input signal. Turn off the main power on the rear side of the monitor, and then turn it on again. Check whether the PC is configured to meet the resolution and vertical scan frequency requirements of the monitor (see "5-2. Compatible Resolutions" (page 22)). Reboot the PC. Select an appropriate setting using the graphics board's utility. For more information, refer to the User's Manual of the graphics board.



Chapter 5 Specifications

5-1. Specifications List

LCD Panel	Type	IPS			
	Backlight	LED			
	Size	58.4 cm (23.0 inch)			
	Resolution	1920 dots × 1080 lines			
	Display Size	509.2 mm × 286.4 mm (H x V)			
	Pixel Pitch	0.265 mm			
	Display Colors	8-bit color: 16.77 million colors			
	Viewing Angles	178° / 178° (H / V, typical)			
	Response Time	Gray-to-gray: Approx. 6 ms (Overdrive setting: Enhanced, typical)			
Touch Panel	Surface treatment	Anti-glare			
	Surface hardness	5 H			
	Communication	USB-based			
	Detection method	Projected capacitive technology			
	OS*1	Microsoft Windows 11 (64 bit) Microsoft Windows 10 (32 bit / 64 bit) Microsoft Windows 8.1 (32 bit / 64 bit) Microsoft Windows 7 (32 bit / 64 bit)			
	Number of simultaneous touch points	Max. 10 points			
Video Signals	Input Terminals	Digital	DisplayPort × 1, DVI-D × 1 (compatible with HDCP)		
		Analog	D-Sub mini 15-pin		
	Digital Scanning Frequency	Horizontal	DisplayPort	31 kHz to 68 kHz	
			DVI	31 kHz to 64 kHz	
	Vertical	59 Hz to 61 Hz (720 × 400 : 69 Hz to 71 Hz)			
		Analog Scanning Frequency	Horizontal	31 kHz to 81 kHz	
	Vertical		55 Hz to 76 Hz		
	Frame Synchronization mode	59 Hz to 61 Hz			
Dot Clock (Max.)	Digital	148.5 MHz			
	Analog	148.5 MHz			
USB	Port	Upstream port x 1			
		Downstream port x 2			
	Standard	USB Specification Revision 2.0			
	Communication Speed	480 Mbps (high) / 12 Mbps (full) / 1.5 Mbps (low)			
	Supply current	Downstream port : Max. 500 mA / 1 port			
Audio	Input	Terminal	Stereo mini jack × 1		
			DisplayPort × 1 (shared with video signal) - Format: 2ch linear PCM (32 kHz / 44.1 kHz / 48 kHz / 88.2 kHz / 96 kHz)		
	Output	Terminal	Stereo mini jack × 1 (for headphone)		
			Speaker	1.0 W + 1.0 W	
			Headphones	2.0 mW + 2.0 mW	
Power supply	Input	100 - 240 VAC ±10%, 50 Hz / 60 Hz, 0.65 A - 0.35 A			
	Power Consumption	Max.	42 W or less		
		Power Save Mode	0.7 W or less	D-Sub input only connected, USB non-connection, audio cable non-connection, "Monitor Settings" - "Input Signal": "Auto"	
		Standby Mode	0.7 W or less	D-Sub input only connected, USB non-connection, audio cable non-connection	

Physical Specifications	Outside dimensions (Width × Height × Depth)	Entire product	Min. height	556.7 mm × 143.9 mm × 401.3 mm (Tilt: 70°)
			Max. height	556.7 mm × 353.9 mm × 216.3 mm (Tilt: 15°)
		Monitor Section		556.7 mm × 339.2 mm × 54 mm
	Weight	Entire product	6.6 kg	
		Monitor Section	6.0 kg	
	Tilt	15° to 70°		
Environmental Conditions	Available Range	Temperature	5 °C to 35 °C	
		Humidity	20 % to 80 % R.H. (no condensation)	
		Air Pressure	540 hPa to 1060 hPa	
	Transportation / Storage Range	Temperature	-20 °C to 60 °C	
		Humidity	10 % to 92 % R.H. (no condensation)	
		Air Pressure	200 hPa to 1060 hPa	

*1 EIZO support will end when OS vendor support ends.

5-2. Compatible Resolutions

The monitor supports the following resolutions.

● Analog Input (D-Sub)

Resolution	Vertical scan frequency
640 × 480	60 Hz to 75 Hz
720 × 400	70 Hz
800 × 600	56 Hz to 75 Hz
1024 × 768	60 Hz to 75 Hz
1280 × 720	60 Hz
1280 × 960	60 Hz
1280 × 1024	60 Hz to 75 Hz
1680 × 1050	60 Hz
1920 × 1080 *1	60 Hz

*1 Recommended resolution

● Digital Signal (DisplayPort / DVI-D) Input

Resolution	Vertical scan frequency	DisplayPort	DVI-D
640 × 480	60 Hz	√	√
720 × 400	70 Hz	√	√
720 × 480	60 Hz	√	-
800 × 600	60 Hz	√	√
1024 × 768	60 Hz	√	√
1280 × 720	60 Hz	√	√
1280 × 960	60 Hz	√	√
1280 × 1024	60 Hz	√	√
1680 × 1050	60 Hz	√	√
1920 × 1080 *1	60 Hz	√	√

*1 Recommended resolution

5-3. Optional Accessories

For the latest information about the optional accessories and the compatible graphics board, refer to our web site. <http://www.eizoglobal.com>

Appendix

Medical Standard

- It shall be assured that the final system is in compliance to IEC60601-1-1 requirement.
- Power supplied equipment can emit electromagnetic waves, that could influence, limit or result in malfunction of the monitor. Install the equipment in a controlled environment, where such effects are avoided.

Classification of Equipment

- Type of protection against electric shock : Class I
- EMC class: EN60601-1-2:2015 Group 1 Class B
- Classification of medical device (EU): Class I
- Mode of operation : Continuous
- IP Class : IPX0

FCC Declaration of Conformity

For U.S.A., Canada Only

FCC Declaration of Conformity

We, the Responsible Party

EIZO Inc.

5710 Warland Drive, Cypress, CA 90630

Phone: (562) 431-5011

declare that the product

Trade name: EIZO

Model: RadiForce MS236WT

is in conformity with Part 15 of the FCC Rules. Operation of this product is subject to the following two conditions: (1) this device may not cause harmful interference, and (2) this device must accept any interference received, including interference that may cause undesired operation.

This equipment has been tested and found to comply with the limits for a Class B digital device, pursuant to Part 15 of the FCC Rules. These limits are designed to provide reasonable protection against harmful interference in a residential installation. This equipment generates, uses, and can radiate radio frequency energy and, if not installed and used in accordance with the instructions, may cause harmful interference to radio communications. However, there is no guarantee that interference will not occur in a particular installation. If this equipment does cause harmful interference to radio or television reception, which can be determined by turning the equipment off and on, the user is encouraged to try to correct the interference by one or more of the following measures.

- * Reorient or relocate the receiving antenna.
- * Increase the separation between the equipment and receiver.
- * Connect the equipment into an outlet on a circuit different from that to which the receiver is connected.
- * Consult the dealer or an experienced radio/TV technician for help.

Changes or modifications not expressly approved by the party responsible for compliance could void the user's authority to operate the equipment.

Note

Use the attached specified cable below or EIZO signal cable with this monitor so as to keep interference within the limits of a Class B digital device.

- AC Cord
- Shielded Signal Cable (enclosed)

Canadian Notice

This Class B digital apparatus complies with Canadian ICES-003.

Cet appareil numérique de la classe B est conforme à la norme NMB-003 du Canada.

Declaration of compliance with India RoHS

We, EIZO Corporation, hereby declare and guarantee that this product has been designed and manufactured in compliance with the E-Waste management rule 2016 which prohibit the inclusion of the following substances except for the exemptions listed in schedule II.

- Lead, Mercury, Hexavalent Chromium, Polybrominated Biphenyls or Polybrominated Diphenyl Ethers exceeding a concentration of 0.1% by weight in homogeneous materials
- Cadmium exceeding a concentration of 0.01% by weight in homogeneous materials

For information on proper disposal and recycling of the product, please refer to the following website.
eizo.co.in/e-waste.php

EMC Information

The RadiForce series has a performance that appropriately displays images.

Environments of Intended Use

The RadiForce series is intended to be used in Professional healthcare facility environments such as clinics and hospitals.

The following environments are not suitable for the RadiForce series to be used:

- Home healthcare environments
- In the vicinity of high-frequency surgical equipments such as electrosurgical knives
- In the vicinity of short-wave therapy equipments
- RF shielded room of the medical equipment systems for MRI
- In shielded location Special environments
- Installed in vehicles including ambulances.
- Other special environments

WARNING

The RadiForce series requires special precautions regarding EMC and need to be installed. You need to carefully read EMC Information and the "PRECAUTIONS" section in this document, and observe the following instructions when installing and operating the product.

Be sure to use the cables attached to the product, or cables specified by EIZO.

Use of cables other than those specified or provided by EIZO of this equipment could result in increased electromagnetic emissions or decreased electromagnetic immunity of this equipment and improper operation.

The RadiForce series should not be used adjacent to or stacked with other equipment. If adjacent or stacked use is necessary, the equipment or system should be observed to verify normal operation in the configuration in which it will be used.

When using a portable RF communication equipment, keep it 30 cm (12 inches) or more away from any part, including cables, of the RadiForce series. Otherwise, degradation of the performance of this equipment could result.

Anyone who connects additional equipment to the signal input part or signal output parts, configuring a medical system, is responsible that the system complies with the requirements of IEC/EN60601-1-2.

Technical Descriptions


Electromagnetic emissions

The RadiForce series is intended for use in the electromagnetic environment specified below.

The customer or the user of the RadiForce series should assure that it is used in such an environment.

Emission test	Compliance	Electromagnetic environment - Guidance
RF emissions CISPR11 / EN55011	Group 1	The RadiForce series uses RF energy only for its internal function. Therefore, its RF emission are very low and are not likely to cause any interference in nearby electronic equipment.
RF emissions CISPR11 / EN55011	Class B	The RadiForce series is suitable for use in all establishments, including domestic establishments and those directly connected to the public low-voltage power supply network that supplies buildings used for domestic purposes.
Harmonic emissions IEC / EN61000-3-2	Class D	
Voltage fluctuations / flicker emissions IEC / EN61000-3-3	Complies	

Electromagnetic immunity			
The RadiForce series has been tested at the following compliance levels according to the testing requirements for professional healthcare facility environments defined in IEC / EN60601-1-2. Customers and users of the RadiForce series must ensure that the RadiForce series is used in the following environments:			
Immunity test	Test level for professional healthcare facility environments	Compliance level	Electromagnetic environment - Guidance
Electrostatic discharge (ESD) IEC / EN61000-4-2	±8 kV contact discharge ±15 kV air discharge	±8 kV contact discharge ±15 kV air discharge	Floors should be wood, concrete or ceramic tile. If floors are covered with synthetic material, the relative humidity should be at least 30%.
Electrical fast transients / bursts IEC / EN61000-4-4	±2 kV power lines ±1 kV input / output lines	±2 kV power lines ±1 kV input / output lines	Mains power quality should be that of a typical commercial or hospital environment.
Surges IEC / EN61000-4-5	±1 kV line to line ±2 kV line to ground	±1 kV line to line ±2 kV line to ground	Mains power quality should be that of a typical commercial or hospital environment.
Voltage dips, short interruptions and voltage variations on power supply input lines IEC / EN61000-4-11	0 % U_T (100 % dip in U_T) 0.5 cycles and 1 cycle 70 % U_T (30 % dip in U_T) 25 cycles 0 % U_T (100 % dip in U_T) 5 sec	0 % U_T (100 % dip in U_T) 0.5 cycles and 1 cycle 70 % U_T (30 % dip in U_T) 25 cycles 0 % U_T (100 % dip in U_T) 5 sec	Mains power quality should be that of a typical commercial or hospital environment. If the user of the RadiForce series requires continued operation during power mains interruptions, it is recommended that the RadiForce series be powered from an uninterruptible power supply or a battery.
Power frequency magnetic fields IEC / EN61000-4-8	30 A/m (50 / 60 Hz)	30 A/m	Power frequency magnetic fields should be at levels characteristic of a typical location in a typical commercial or hospital environment. The product should be kept at least 15 cm away from the source of power frequency magnetic fields during use.

Electromagnetic immunity			
The RadiForce series has been tested at the following compliance levels according to the testing requirements for professional healthcare facility environments defined in IEC / EN60601-1-2. Customers and users of the RadiForce series must ensure that the RadiForce series is used in the following environments:			
Immunity test	Test level for professional healthcare facility environments	Compliance level	Electromagnetic environment - Guidance
Conducted disturbances induced by RF fields IEC / EN61000-4-6	3 Vrms 150 kHz - 80 MHz	3 Vrms	Portable and mobile RF communications equipment should be used no closer to any part of the RadiForce series, including cables, than the recommended separation distance calculated from the equation applicable to the frequency of the transmitter. Recommended separation distance $d = 1.2\sqrt{P}$
Radiated RF fields IEC / EN61000-4-3	6 Vrms ISM bands between 150 kHz and 80 MHz	6 Vrms	
	3 V/m 80 MHz - 2.7 GHz	3 V/m	$d = 1.2\sqrt{P}$, 80 MHz - 800 MHz $d = 2.3\sqrt{P}$, 800 MHz - 2.7 GHz Where "P" is the maximum output power rating of the transmitter in watts (W) according to the transmitter manufacturer and "d" is the recommended separation distance in meters (m). Field strengths from fixed RF transmitters, as determined by an electromagnetic site survey ^{a)} , should be less than the compliance level in each frequency range ^{b)} . Interference may occur in the vicinity of equipment marked with the following symbol. 
Note 1	U _T is the a.c. mains voltage prior to application of the test level.		
Note 2	At 80 MHz and 800 MHz, the higher frequency range applies.		
Note 3	Guidelines regarding conducted disturbances induced by RF fields or radiated RF fields may not apply in all situations. Electromagnetic propagation is affected by absorption and reflection from structures, objects and people.		
Note 4	The ISM bands between 150 kHz and 80 MHz are 6.765 MHz to 6.795 MHz, 13.553 MHz to 13.567 MHz, 26.957 MHz to 27.283 MHz, and 40.66 MHz to 40.70 MHz.		
a)	Field strengths from fixed transmitters, such as base stations for radio (cellular/cordless) telephones and land mobile radios, amateur radio, AM and FM radio broadcast and TV broadcast cannot be predicted theoretically with accuracy. To assess the electromagnetic environment due to fixed RF transmitters, an electromagnetic site survey should be considered. If the measured field strength in the location in which the RadiForce series is used exceeds the applicable RF compliance level above, the RadiForce series should be observed to verify normal operation. If abnormal performance is observed, additional measures may be necessary, such as reorienting or relocating the RadiForce series.		
b)	Over the frequency range 150 kHz to 80 MHz, field strengths should be less than 3 V/m.		

Recommended separation distances between portable or mobile RF communication equipment and the RadiForce Series

The RadiForce series is intended for use in an electromagnetic environment in which radiated RF disturbances are controlled. The customer or the user of the RadiForce series can help prevent electromagnetic interference by maintaining a minimum distance between portable and mobile RF communications equipment (transmitters) and the RadiForce series. Immunity to proximity fields from following RF wireless communication equipments has been confirmed:

Test frequency (MHz)	Bandwidth ^{a)} (MHz)	Service ^{a)}	Modulation ^{b)}	Maximum power (W)	Minimum separation distance (m)	IEC / EN60601 test level (V/m)	Compliance level (V/m)
385	380 - 390	TETRA 400	Pulse modulation ^{b)} 18 Hz	1.8	0.3	27	27
450	430 - 470	GMRS 460, FRS 460	FM ±5 kHz deviation 1 kHz sine	2	0.3	28	28
710 745 780	704 - 787	LTE Band 13, 17	Pulse modulation ^{b)} 217 Hz	0.2	0.3	9	9
810 870 930	800 - 960	GSM 800 / 900, TETRA 800, iDEN 820 CDMA 850, LTE Band 5	Pulse modulation ^{b)} 18 Hz	2	0.3	28	28
1720 1845 1970	1700 - 1990	GSM 1800; CDMA 1900; GSM 1900; DECT; LTE Band 1, 3, 4, 25; UMTS	Pulse modulation ^{b)} 217 Hz	2	0.3	28	28
2450	2400 - 2570	Bluetooth, WLAN, 802.11 b/g/n, RFID 2450, LTE Band 7	Pulse modulation ^{b)} 217 Hz	2	0.3	28	28
5240 5500 5785	5100 - 5800	WLAN 802.11 a/n	Pulse modulation ^{b)} 217 Hz	0.2	0.3	9	9

a) For some services, only the uplink frequencies are included.

b) carrier are modulated using a 50 % duty cycle square wave signal.

The RadiForce series is intended for use in an electromagnetic environment in which radiated RF disturbances are controlled. For other portable and mobile RF communication equipments (transmitters), minimum distance between portable and mobile RF communications equipment (transmitters) and the RadiForce series as recommended below, according to the maximum output power of the communications equipment.

Rated maximum output power of transmitter (W)	Separation distance according to frequency of transmitter (m)		
	150 kHz to 80 MHz $d = 1.2\sqrt{P}$	80 MHz to 800 MHz $d = 1.2\sqrt{P}$	800 MHz to 2.7 GHz $d = 2.3\sqrt{P}$
0.01	0.12	0.12	0.23
0.1	0.38	0.38	0.73
1	1.2	1.2	2.3
10	3.8	3.8	7.3
100	12	12	23

For transmitters rated at a maximum output power not listed above, the recommended separation distance "d" in meters (m) can be estimated using the equation applicable to the frequency of the transmitter, where "P" is the maximum output power rating of the transmitter in watts (W) according to the transmitter manufacturer.

Note 1 At 80 MHz and 800 MHz, the separation distance for a higher frequency range applies.

Note 2 These guidelines may not apply in all situations. Electromagnetic propagation is affected by absorption and reflection from structures, objects and people.

Cable		Length
Signal cable:	PP300	3 m
Signal cable:	DD300	3 m
Signal cable:	MD-C87	1.8 m
USB cable:	UU300	3 m
Audio cable:	Shield	2.1 m
Headphone cable:	Shield	3 m
Power cord (with earth)		3 m



EIZO Corporation

153 Shimokashiwano, Hakusan, Ishikawa 924-8566 Japan

EIZO GmbH EC REP

Carl-Benz-Straße 3, 76761 Rülzheim, Germany

艺卓显像技术(苏州)有限公司

中国苏州市苏州工业园区展业路 8 号中新科技工业坊 5B

EIZO Limited UK Responsible Person

1 Queens Square, Ascot Business Park, Lyndhurst Road,
Ascot, Berkshire, SL5 9FE, UK

EIZO AG CH REP

Moosacherstrasse 6, Au, CH-8820 Wädenswil, Switzerland

www.eizoglobal.com

Copyright © 2017 - 2022 EIZO Corporation. All rights reserved.



00N0N025F1
IFU-MS236WT-6

6th Edition - June 28th, 2022 Printed in Japan.