

User's Manual CB-01

SDI Converter Bracket

Thank you very much for choosing an EIZO product. Please read this User's Manual carefully before using this product in order to familiarize yourself with safe and effective usage. Please retain this User's Manual for future reference.

For information regarding compatibility of the CG3145 and SDI-HDMI converter, please refer to our website (www.eizoglobal.com).

Precautions

- Only the following SDI-HDMI converter can be attached to this product. Attaching any other converter to this product may lead to the converter falling, which may result in injury or equipment damage.
 - AJA Video Systems, Inc. manufactured Hi5-4K-Plus
- Use the monitor in a landscape display orientation when using this product. The converter cannot be used when the monitor is oriented in portrait display.



WARNING

- **Be sure to use the screws that were attached to the monitor as the screws for installing the converter, and tighten them completely**
Install them securely following the instructions in this manual. If not sufficiently attached, the converter may come off, which may result in injury or equipment damage.
- **Re-tighten the screws regularly**
If the screws become loose, the converter may fall, which may result in injury or equipment damage.

Specifications

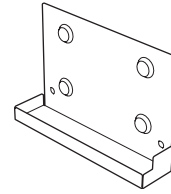
Weight	Mounting bracket A: 108 g
	Mounting bracket B: 73 g
Dimension of installation holes	100 mm × 100 mm
Dedicated converter power cable	USB Type-A, or DC power connector for converter: 55 cm
HDMI cable	HDMI to HDMI: 50 cm

Disposal

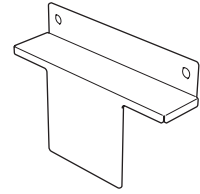
Dispose of this product according to the regulations issued by your local authority.

Package Contents

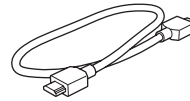
Check that all of the following items are contained in the package. If any of these items are missing, contact your local EIZO representative.



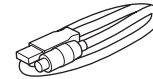
Mounting bracket A



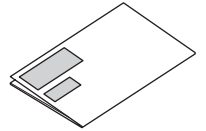
Mounting bracket B



HH050HS
HDMI cable



Dedicated converter power cable



User's Manual
(this document)

- This product can only be attached to certain models of the ColorEdge CG3145-BSBK (base stand model (fixed stand model)). Serial numbers of compatible models (S/N):
 - 3xxxxxxx and on
 - 2xxxxxxx, a portion of the previous models (For details, contact your local EIZO representative.)
- Retain the metal cover that was removed to allow installation.



WARNING

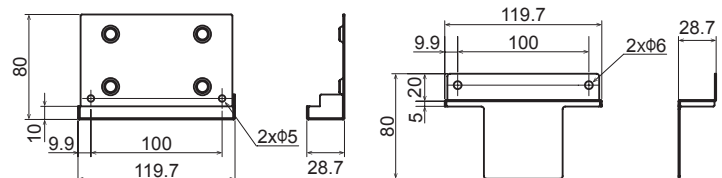
- **Do not disassemble or modify the cable or power plug**
Doing so may cause malfunction.



CAUTION

- **Take care not to pinch your fingers between the converter and the mounting brackets during installation**

- Outline Dimensions (unit: mm)
Left: mounting bracket A Right: mounting bracket B

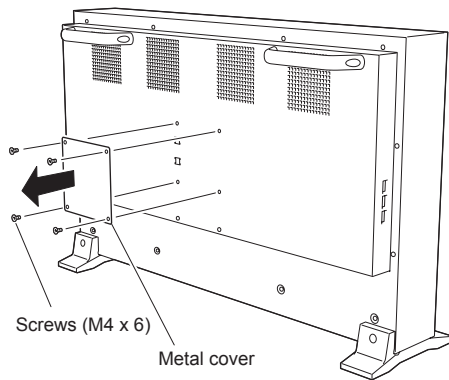


Inquiries

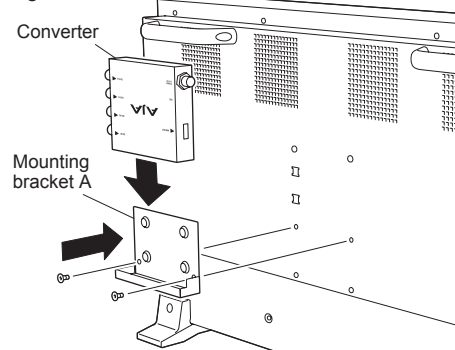
Inquiries regarding this product should be made to your local EIZO representative.

Installation Procedure

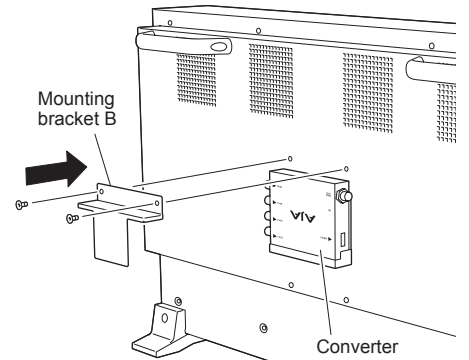
1. Before installing the converter, remove the metal cover on the back of the monitor.
(The screws will be re-used during installation.)



2. Align the holes in mounting bracket A with the lower two of the four holes on the back of the monitor. Then, attach the bracket A by placing two of the screws that were removed in step 1 into the holes and securing them tightly.
3. Place the converter on the installation panel of mounting bracket A with the SDI input terminals facing to the left.

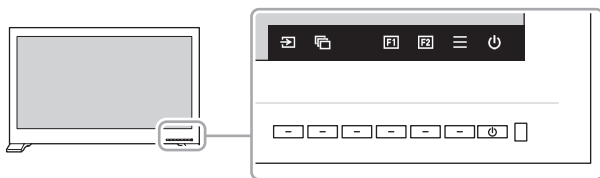


4. Align the holes in mounting bracket B with the remaining two holes on the back of the monitor. While pressing on top of the converter with the bracket B, place the remaining two screws that were removed in step 1 into the holes and secure them tightly.



Connecting the Dedicated Converter Power Cable

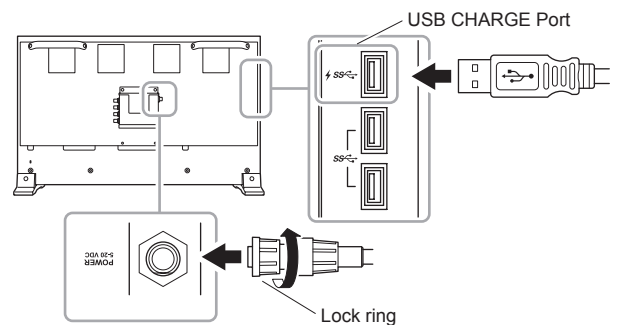
1. Select  using the control button on the front of the monitor to display the "Preferences" menu.



2. Set "USB CHARGE Port" to "Charging Only".

Preferences	
USB CHARGE Port	[Charging Only]
Power Save	[On]
Off Timer	[Off]
Indicator	[4]

3. Insert the USB plug into the USB CHARGE port on the monitor.
4. While paying attention to the shape of the socket, insert the power connector into the power jack on the right side of the converter and tighten the lock ring.



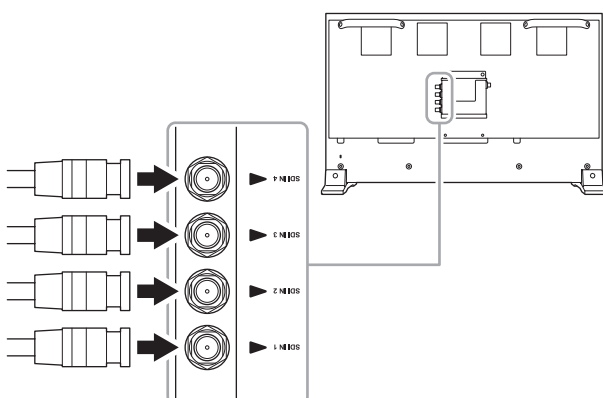
Attention

The converter will not work if connected to an unspecified USB port. Turn the main power off on the back of the monitor, reconnect to the correct port, and then turn the main power on again.

Connecting the Signal Cables

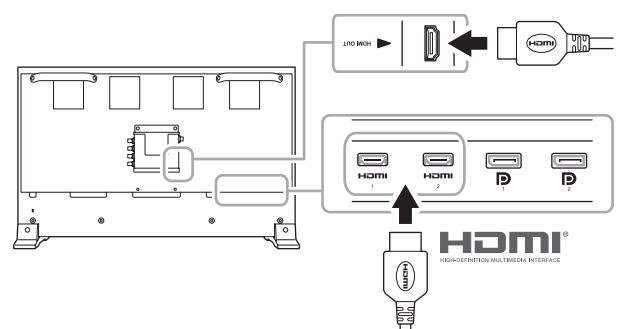
Connecting the SDI cable

Connect the SDI signal cables to the SDI input connectors on the left side of the converter.



Connecting the HDMI cable

Connect the HDMI connector on the back of the monitor to the HDMI connector on the right side of the converter with the HDMI cable.



* The terms HDMI and HDMI High-Definition Multimedia Interface, and the HDMI Logo are trademarks or registered trademarks of HDMI Licensing, LLC in the United States and other countries.