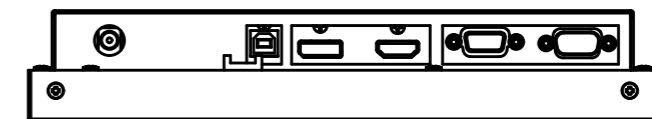
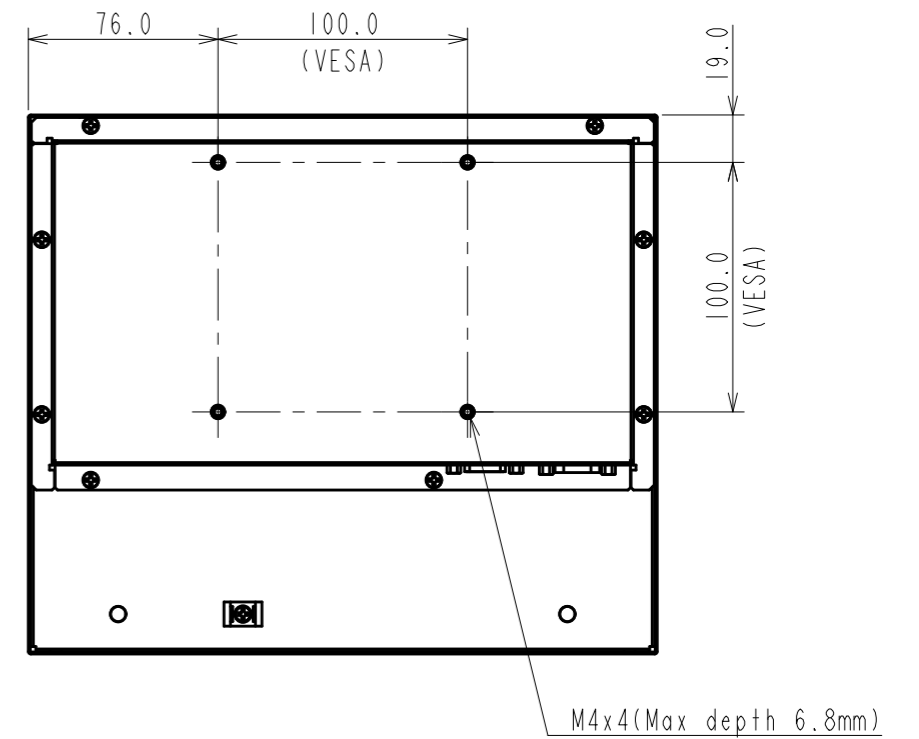
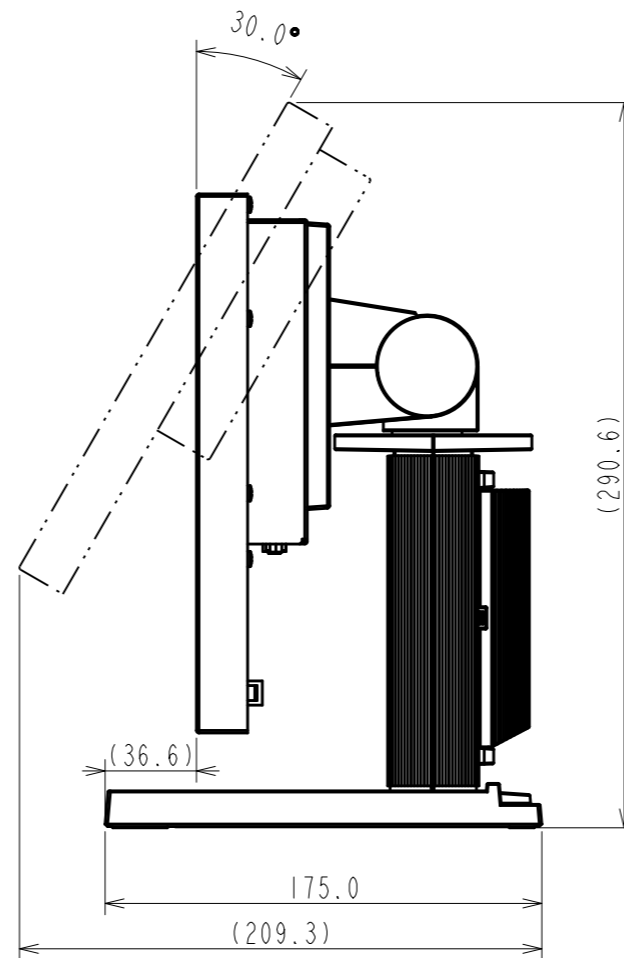
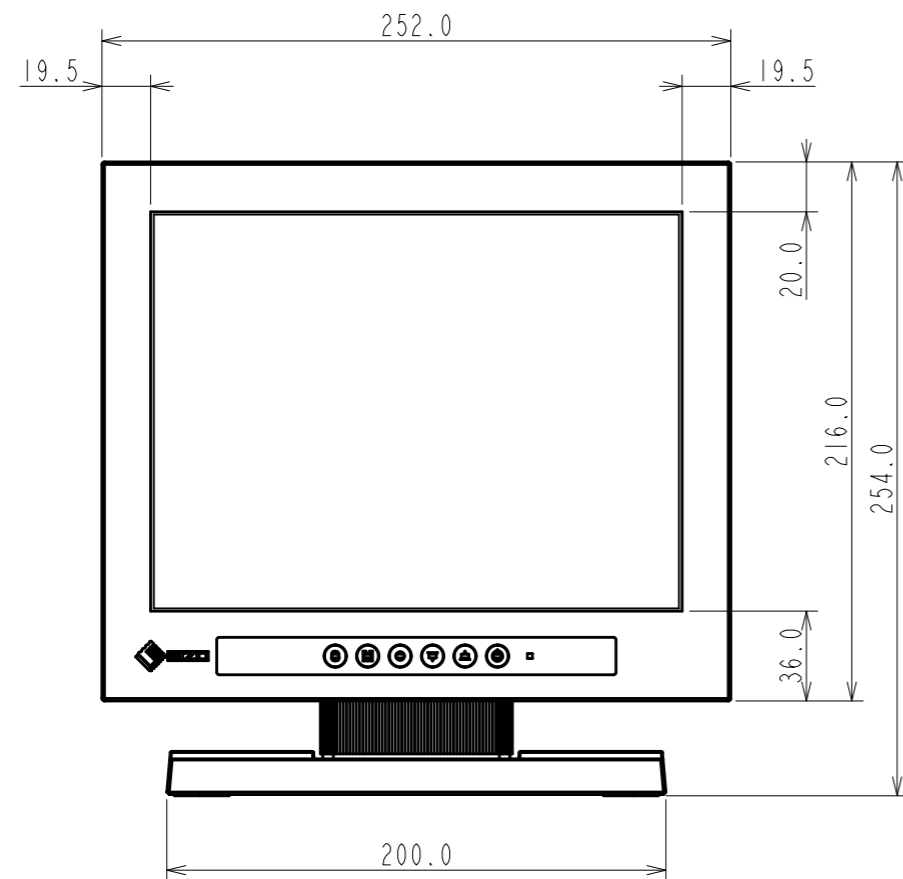
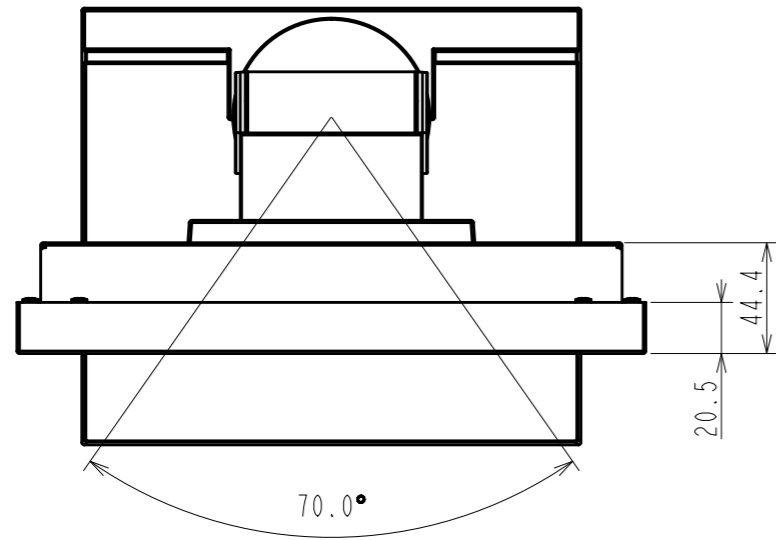


OUTLINE DIMENSIONS

MODEL FDX1004T

UNIT mm

EIZO Corporation

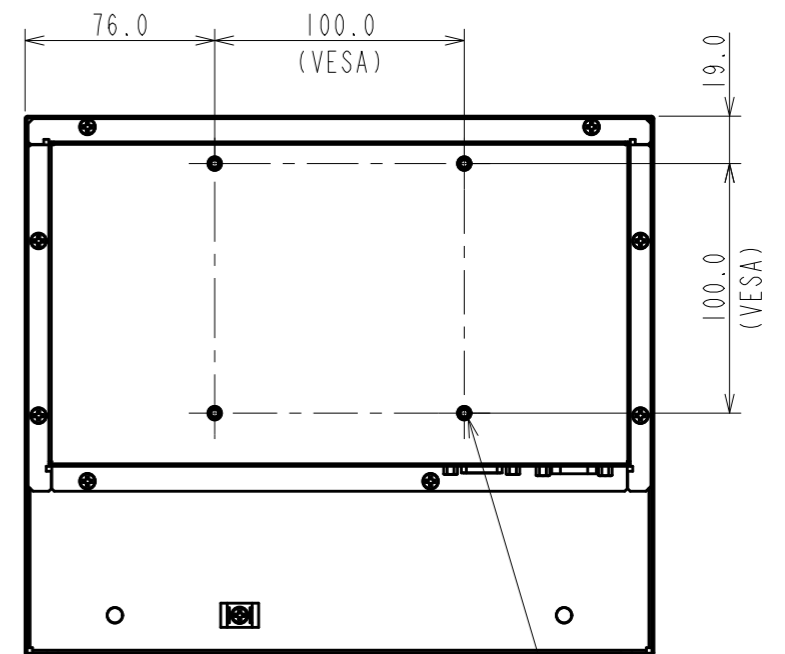
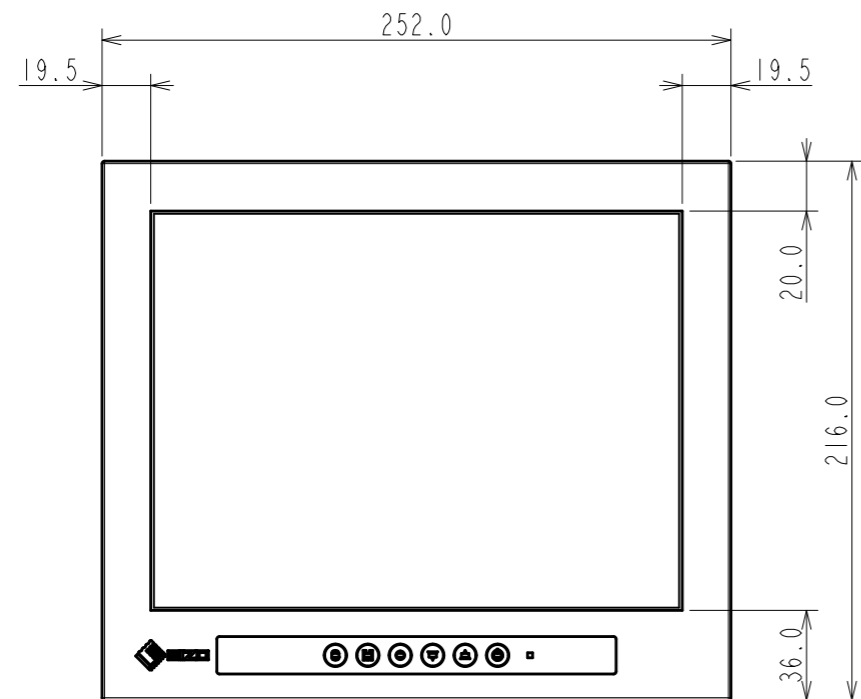
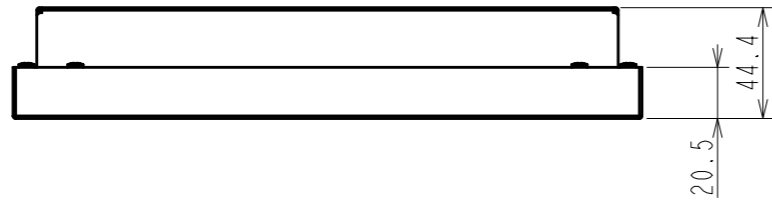


OUTLINE DIMENSIONS

MODEL FDX1004T

UNIT mm

EIZO Corporation



M4x4 (Max depth 6.8mm)

