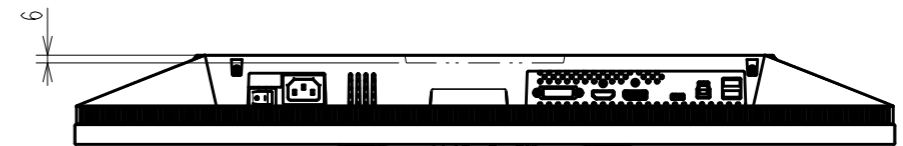
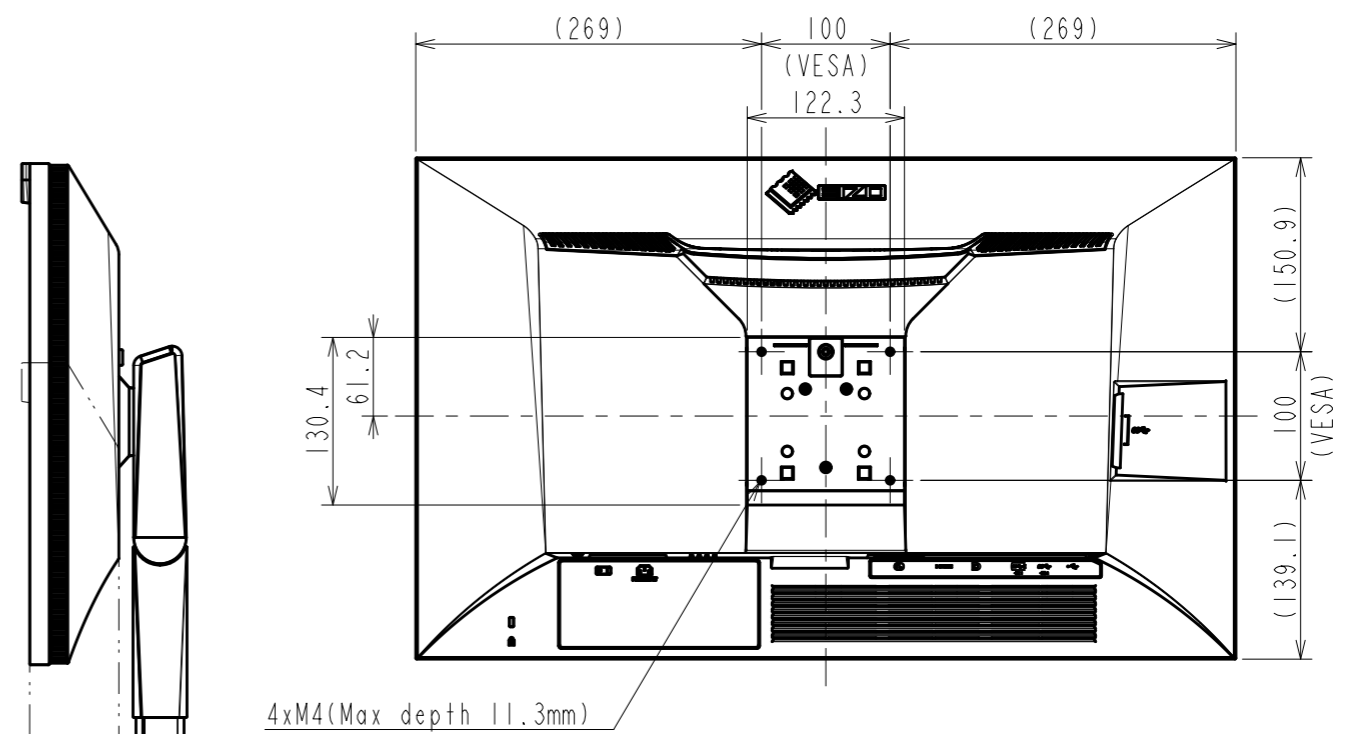
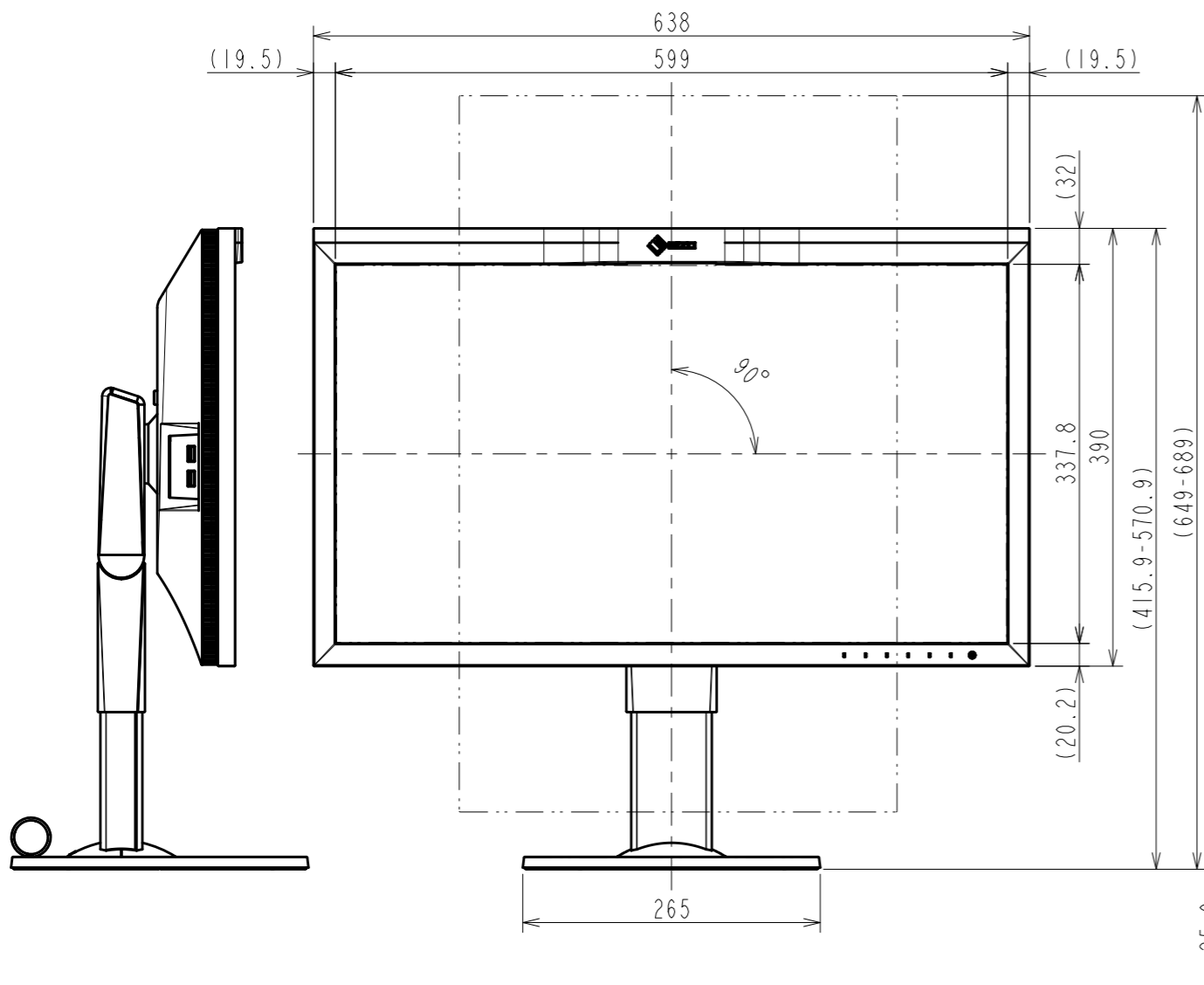
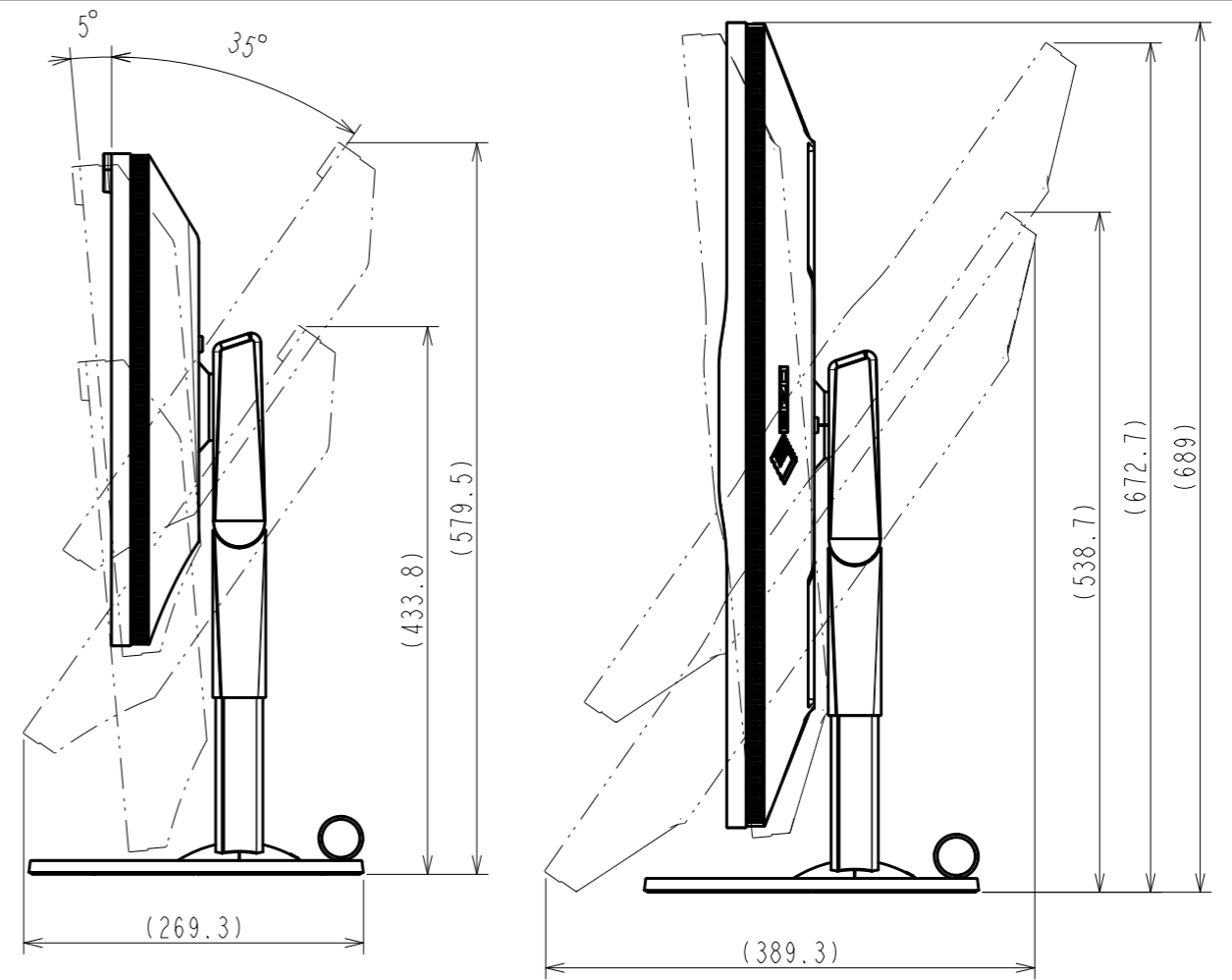
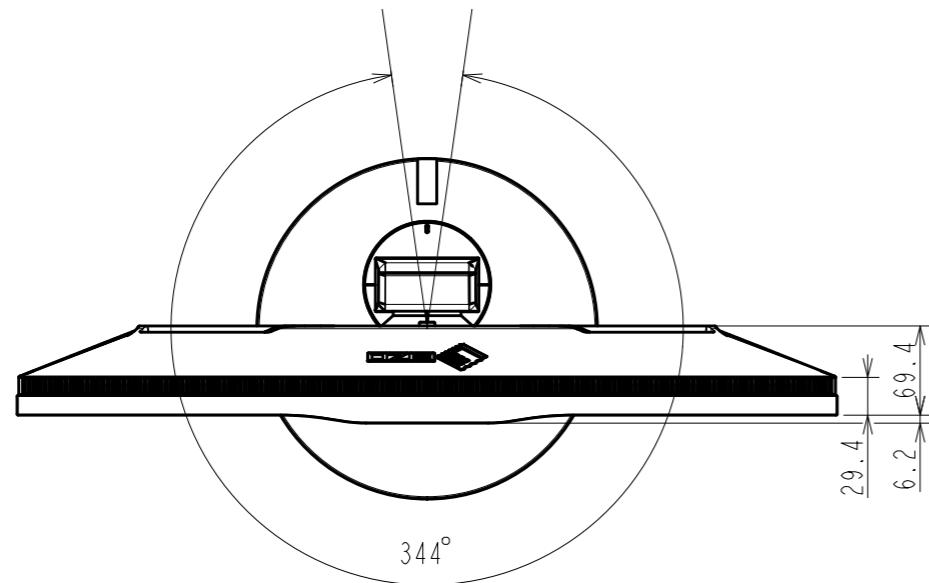


# OUTLINE DIMENSIONS

MODEL CG279X

UNIT mm

**EIZO Corporation**



# OUTLINE DIMENSIONS

MODEL CG279X

UNIT mm

**EIZO Corporation**

